



Quick Installation Guide



TK-401R
TK-801R
TK-1601R

Table of Contents

Español	1
1. Antes de iniciar	1
2. Cómo se instala	2
3. Funcionamiento	4
Specifications	7
Troubleshooting	8

1. Antes de iniciar



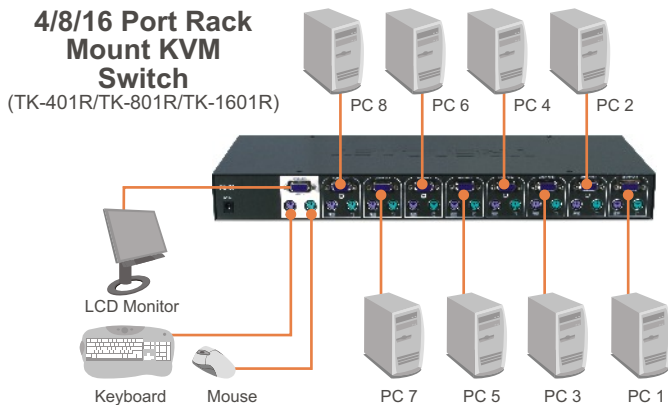
Contenidos del paquete

- TK-401R/TK-801R/TK-1601R
- Guía de instalación rápida
- Kit para montaje en estante
- Adaptador de alimentación AC (9V DC 1A) (TK-801R/TK-1601R)

Requisitos del sistema

- Teclado PS/2
- Ratón PS/2
- Monitor compatible VGA
- Cable KVM
- Windows 98SE/ME/2000/XP/2003 Server, Linux, y Netware

Aplicación



2. Cómo se instala

1. Apague todos los PCs y sus periféricos, luego desconecte todos los cables de alimentación.

2. Utilice los cables KVM para conectar cada PC al conmutador KVM.

3. Conecte el teclado compartido PS/2, monitor y ratón PS/2 al puerto consola del conmutador KVM. (Imagen del TK-1601R)

4. Conectar el adaptador de alimentación AC incluido al conmutador KVM, y después a una toma de corriente (sólo para el TK-801R y el TK-1601R).



5. Encienda los PCs conectados uno por uno y espere hasta que aparezca el escritorio de cada PC.



Para montaje en bastidor

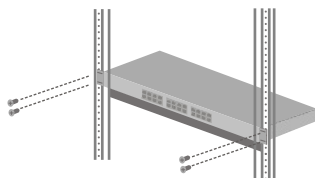
El conmutador puede montarse sobre un bastidor de 19 pulgadas tamaño estándar EIA, que puede colocarse en un armario de empalmes junto con otros equipos.

Nota: Si desea instalar el conmutador KVM a un bastidor de equipo EIA 19", coloque las abrazaderas de sujeción a ambos lados del conmutador KVM, asegúrelas con los tornillos suministrados, y luego incorpore el conmutador KVM al bastidor del equipo con el hardware proporcionado por el fabricante

6. Fije las abrazaderas de sujeción a ambos lados del conmutador y asegúrelas con los tornillos suministrados.



7. Coloque el conmutador con cuidado encima del bastidor. Haga que la abrazadera coincida con los orificios de los tornillos del bastidor, luego use los tornillos suministrados junto con el bastidor del equipo para montar el conmutador.



La instalación ha sido completada

3. Funcionamiento

Nota: Para la conexión entre PCs, se pulsán los botones del panel frontal o comandos "Hot-Key".

Indicadores LED

LED con luz roja: El cable KVM está conectado y el PC está haciendo funcionar el conmutador KVM.

LED con luz verde: Indica que el puerto PC seleccionado está activo, independientemente de que el PC esté encendido o apagado.

LED Flash en verde: El puerto PC seleccionado está en modo escanear o no ha sido activado por el PC.



Botones de arranque

Pulse los botones de arranque para la conexión entre PCs.

Comandos Hotkey

Un comando hotkey del teclado consiste en pulsar tres teclas:

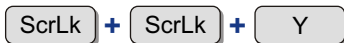
Comando Hotkey = ScrLk + ScrLk + Tecla(s) de comando

Después de pulsar la tecla ScrLk, dispone de 2 segundos para pulsar la tecla ScrLk otra vez. Ahora dispone de 2 segundos para presionar una tecla de comando. Si usted no pulsa una tecla en el plazo de 2 segundos, el conmutador saldrá del modo hotkey.

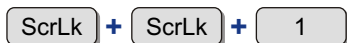
Para seleccionar un puerto PC específico:

Para TK-401R

Y = número de puerto 1-4



Por ejemplo para seleccionar el puerto 1 en el conmutador KVM debe presionar la siguiente secuencia de teclas



Para TK-801R / TK-1601R



Y Z= número de puerto 01- 08 ó número de puerto 01 -16

Por ejemplo para seleccionar el **puerto 1** ó **puerto 10** en el conmutador KVM debe presionar la siguiente secuencia de teclas

Seleccionar puerto 1 =

Seleccionar puerto 10 =

Para ver la lista de todos los comandos Hot-Key, por favor consulte la hoja de referencia rápida.

Hoja de referencia rápida para el TK-401R/TK-801R/TK-1601R

Comando	Teclas Hotkeys	Botones del panel	Descripción
Seleccionar sólo canal de PC	TK-401R (Y)= número de puerto de un (1) dígito (1-4) TK-801R/TK-1601R (YZ)= número de puerto de dos (2) dígitos(01-16)	Pulse el botón de arranque de un puerto específico para conectarse a ese puerto.	Selecciona el canal activo de la PC.
Canal próximo inferior	 (flecha arriba)	- - -	Seleccione el canal PC inferior más próximo
Canal próximo superior	 (flecha abajo)	- - -	Seleccione el canal PC superior más próximo
Autoescanear el sonido Beep Encendido/Apagado		- - -	Active o desactive el sonido Beep durante el modo Autoescanear.
Restablecer KVM		- - -	
Autoscan (Escaneo automático)		- - -	Autoescanear cada canal conectado para una rápida lectura en pantalla de cada canal
Autoescanear con tiempo de retraso programado	 (x) = 5 - 99 segundos	- - -	Autoescanear cada canal conectado para una rápida lectura en pantalla de cada canal en intervalos de X segundos.
Detener Autoscan		Pulse cualquier botón	Finaliza el escaneo automático.

Specifications

Management:	TK-401R: 4 computers TK-801R: 8 computers TK-1601R: 16 computers
Console Port Connectors: (all female)	1 x PS/2 keyboard 6-pin mini din 1 x PS/2 mouse 6-pin mini din 1 x VGA HDB15 15-pin
PC Port Connectors: (all female)	4/8/16 x PS/2 keyboard 6-pin mini din 4/8/16 x PS/2 mouse 6-pin mini din 4/8/16 x VGA HDB 15-pin
VGA Resolution:	1920 x 1440
Port Selection:	Push Button and Hot-Key Commands
Auto-Scan Intervals:	5 ~ 99 seconds
External AC Power Adapter:	9V DC, 1A (TK-801/TK1601 only)
Dimensions:	<u>TK-401R</u> 202 x 104 x 45mm (8.0 x 4.1 x 1.8 in.) <u>TK-801R</u> 407 x 165 x 45mm (16.0 x 6.5 x 1.8in.) <u>TK-1601R</u> 406 x 165 x 85 mm (16.0 x 6.5 x 3.4 in.)
Weight:	TK-401R : 835g (1.84lb.) TK-801R : 1.9 kg (4.2 lbs) TK-1601R : 2.65 kg (5.85 lbs)
Operating Temperature:	0°C ~ 40°C (32°F ~104°F)
Storage Temperature:	-20°C ~ 60°C (-4°F ~ 140°F)
Humidity:	0%~90%, Non-Condensing
Certifications:	FCC and CE

Q1: Do I need to use the included external AC adapter?

A1: It is recommended that you use the included external AC adapter with the TK-801R/TK-1601R KVM switch.

Q2: I have the KVM switch connected properly, but my keyboard and mouse don't work.

A2: Please make sure your PS/2 ports are working properly by testing it with another mouse or keyboard. Once you confirm that the PS/2 ports are functional, please reboot your computers, and try to use the KVM switch again.

Q3: Can I connect or disconnect the KVM cables while the computers are turned on?

A3: Yes, you can connect or disconnect the KVM cables while the computers are turned on, because the interface is Hot-Pluggable.

Q4: Will the KVM switch restore the keyboard settings when switching between computers?

A4: Yes, the KVM switch will restore the keyboard settings when switching between computers. (i.e.: Cap lock, Num key, etc.)

Q5: How do I switch from one computer to another with the KVM switch?

A5: You can switch PCs by pressing the push button on the KVM switch or by using the Hot-Key commands. Go to Section 3 Operation for more information.

If you still encounter problems or have any questions regarding the TK-401R/TK-801R/TK-1601R please contact Trendnet's Technical Support Department.

Limited Warranty

TRENDnet warrants its products against defects in material and workmanship, under normal use and service, for the following lengths of time from the date of purchase.

TK-401R/TK-801R/TK-1601R - 2-Year Warranty

If a product does not operate as warranted above during the applicable warranty period, TRENDnet shall, at its option and expense, repair the defective product or part, deliver to customer an equivalent product or part to replace the defective item, or refund to customer the purchase price paid for the defective product. All products that are replaced will become the property of TRENDnet. Replacement products may be new or reconditioned.

TRENDnet shall not be responsible for any software, firmware, information, or memory data of customer contained in, stored on, or integrated with any products returned to TRENDnet pursuant to any warranty.

There are no user serviceable parts inside the product. Do not remove or attempt to service the product by any unauthorized service center. This warranty is voided if (i) the product has been modified or repaired by any unauthorized service center, (ii) the product was subject to accident, abuse, or improper use (iii) the product was subject to conditions more severe than those specified in the manual.

Warranty service may be obtained by contacting TRENDnet office within the applicable warranty period for a Return Material Authorization (RMA) number, accompanied by a copy of the dated proof of the purchase. Products returned to TRENDnet must be pre-authorized by TRENDnet with RMA number marked on the outside of the package, and sent prepaid, insured and packaged appropriately for safe shipment.

WARRANTIES EXCLUSIVE: IF THE TRENDnet PRODUCT DOES NOT OPERATE AS WARRANTED ABOVE, THE CUSTOMER'S SOLE REMEDY SHALL BE, AT TRENDnet'S OPTION, REPAIR OR REPLACEMENT. THE FOREGOING WARRANTIES AND REMEDIES ARE EXCLUSIVE AND ARE IN LIEU OF ALL OTHER WARRANTIES, EXPRESSED OR IMPLIED, EITHER IN FACT OR BY OPERATION OF LAW, STATUTORY OR OTHERWISE, INCLUDING WARRANTIES OF MERCHANTABILITY AND FITNESS FOR A PARTICULAR PURPOSE. TRENDnet NEITHER ASSUMES NOR AUTHORIZES ANY OTHER PERSON TO ASSUME FOR IT ANY OTHER LIABILITY IN CONNECTION WITH THE SALE, INSTALLATION MAINTENANCE OR USE OF TRENDnet'S PRODUCTS.

TRENDnet SHALL NOT BE LIABLE UNDER THIS WARRANTY IF ITS TESTING AND EXAMINATION DISCLOSE THAT THE ALLEGED DEFECT IN THE PRODUCT DOES NOT EXIST OR WAS CAUSED BY CUSTOMER'S OR ANY THIRD PERSON'S MISUSE, NEGLIGENCE, IMPROPER INSTALLATION OR TESTING, UNAUTHORIZED ATTEMPTS TO REPAIR OR MODIFY, OR ANY OTHER CAUSE BEYOND THE RANGE OF THE INTENDED USE, OR BY ACCIDENT, FIRE, LIGHTNING, OR OTHER HAZARD.

LIMITATION OF LIABILITY: TO THE FULL EXTENT ALLOWED BY LAW TRENDnet ALSO EXCLUDES FOR ITSELF AND ITS SUPPLIERS ANY LIABILITY, WHETHER BASED IN CONTRACT OR TORT (INCLUDING NEGLIGENCE), FOR INCIDENTAL, CONSEQUENTIAL, INDIRECT, SPECIAL, OR PUNITIVE DAMAGES OF ANY KIND, OR FOR LOSS OF REVENUE OR PROFITS, LOSS OF BUSINESS, LOSS OF INFORMATION OR DATA, OR OTHER FINANCIAL LOSS ARISING OUT OF OR IN CONNECTION WITH THE SALE, INSTALLATION, MAINTENANCE, USE, PERFORMANCE, FAILURE, OR INTERRUPTION OF THE POSSIBILITY OF SUCH DAMAGES, AND LIMITS ITS LIABILITY TO REPAIR, REPLACEMENT, OR REFUND OF THE PURCHASE PRICE PAID, AT TRENDnet'S OPTION. THIS DISCLAIMER OF LIABILITY FOR DAMAGES WILL NOT BE AFFECTED IF ANY REMEDY PROVIDED HEREIN SHALL FAIL OF ITS ESSENTIAL PURPOSE.

Governing Law: This Limited Warranty shall be governed by the laws of the state of California.

AC/DC Power Adapter, Cooling Fan, Power Supply, and Cables carry a 1 Year Warranty

Certifications

This equipment has been tested and found to comply with FCC and CE Rules.

Operation is subject to the following two conditions:

- (1) This device may not cause harmful interference.
- (2) This device must accept any interference received. Including interference that may cause undesired operation.



Waste electrical and electronic products must not be disposed of with household waste. Please recycle where facilities exist. Check with your Local Authority or Retailer for recycling advice.



NOTE: THE MANUFACTURER IS NOT RESPONSIBLE FOR ANY RADIO OR TV INTERFERENCE CAUSED BY UNAUTHORIZED MODIFICATIONS TO THIS EQUIPMENT. SUCH MODIFICATIONS COULD VOID THE USER'S AUTHORITY TO OPERATE THE EQUIPMENT.

ADVERTENCIA

En todos nuestros equipos se mencionan claramente las características del adaptador de alimentación necesario para su funcionamiento. El uso de un adaptador distinto al mencionado puede producir daños físicos y/o daños al equipo conectado. El adaptador de alimentación debe operar con voltaje y frecuencia de la energía eléctrica domiciliar existente en el país o zona de instalación.



TRENDnet Technical Support

US • Canada

Toll Free Telephone: 1 (866) 845-3673

24/7 Tech Support



Europe (Germany • France • Italy • Spain • Switzerland • UK)

Toll Free Telephone: +00800 60 76 76 67

English/Espanol - 24/7

Francais/Deutsch - 11am-8pm, Monday - Friday MET

Worldwide

Telephone: +{(31) (0) 20 504 05 35

English/Espanol - 24/7

Francais/Deutsch - 11am-8pm, Monday - Friday MET

Product Warranty Registration

Please take a moment to register your product online.

Go to TRENDnet's website at <http://www.trendnet.com>

TRENDnet[®]
20675 Manhattan Place
Torrance, CA 90501
USA