

TRENDNET®



Quick Installation Guide

Unmanaged Industrial Mini Switch

Table of Contents

1 English

1. Before You Start
2. Quick Reference
3. Hardware Installation

<https://www.trendnet.com/qig/1495>



1. Before You Start

Package Contents

- TI-GLC50 / TI-GLC80 / TL-ELC50 / TI-ELC80
- Quick Installation Guide
- Removable terminal block
- DIN-Rail mount
- Wall mount kit

Minimum Requirements

- Existing network
- Power Supply

Switch Power Consumption

Switch Model	Switch Power Consumption	DC Input Voltage Range
TI-GLC50	2.68W	9.6 – 60V
TI-GLC80	3.36W	9.6 – 60V
TI-ELC50	1.23W	9.6 – 60V
TI-ELC80	1.68W	9.6 – 60V

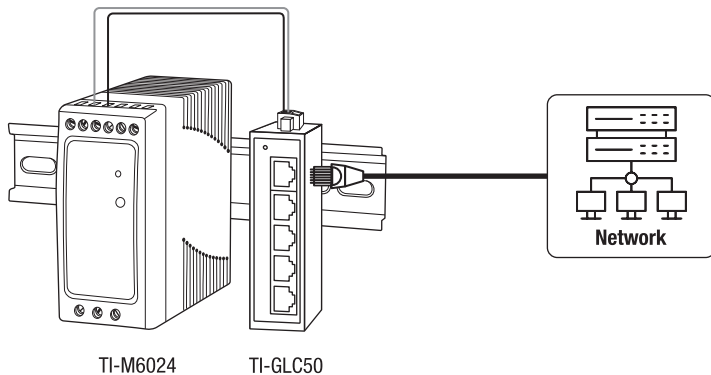
Compatible Power Supplies

Power Supply Model	Max. Power Supplied	DC Output	Type	Note
TI-M6024	60W	24V / 2.5A	DIN-Rail	9.6 – 60V
TI-S12024	120W	24V / 5A	DIN-Rail	9.6 – 60V
TI-S12048	120W	48V / 2.5A	DIN-Rail	9.6 – 60V
TI-S24048	240W	48V / 5A	DIN-Rail	9.6 – 60V
TI-S48048	480W	48V / 10A	DIN-Rail	9.6 – 60V
TI-S15052	150W	52V / 4.86A	DIN-Rail	9.6 – 60V
TI-S24052	240W	52V / 4.61A	DIN-Rail	9.6 – 60V

Note: Select the appropriate power supply according to the switch model your switch model.

2. Quick Reference

Note: The switch model and power supply may be different than the one shown in the example below.



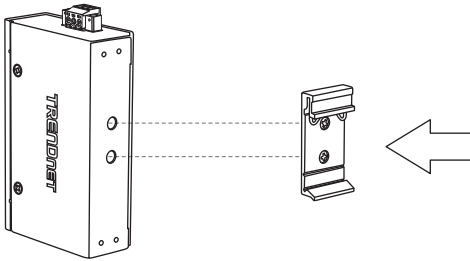
3. Hardware Installation

The switch can be placed on a desktop, wall mounted, or mounted to a DIN-Rail.

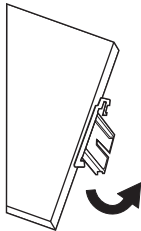
DIN-Rail Mounting Instructions

1. Attach the DIN-rail mount bracket to the switch.

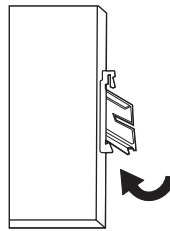
Note: The switch may be different than the one shown in the examples below.



2. Position the unit in front of the DIN-Rail and hook the mount bracket over the top of the rail.
3. Rotate the unit downward towards the rail to lock it into place. You will know it is secure when you hear the click.



Mounting the unit

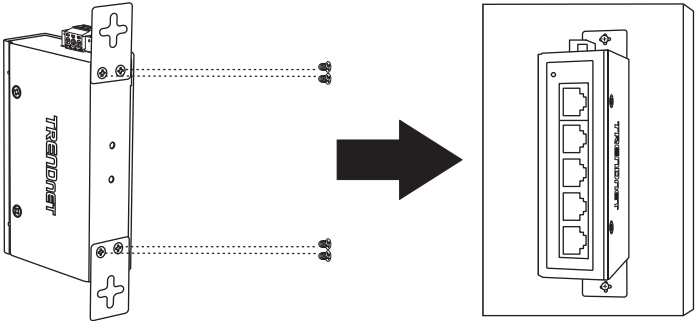


Releasing the unit

4. To remove the unit, pull down to clear the bottom of the DIN-Rail and rotate up, away from the rail.

Wall Mounting Instructions

1. Attach the wall mount plates to switch.
2. Mount the switch.



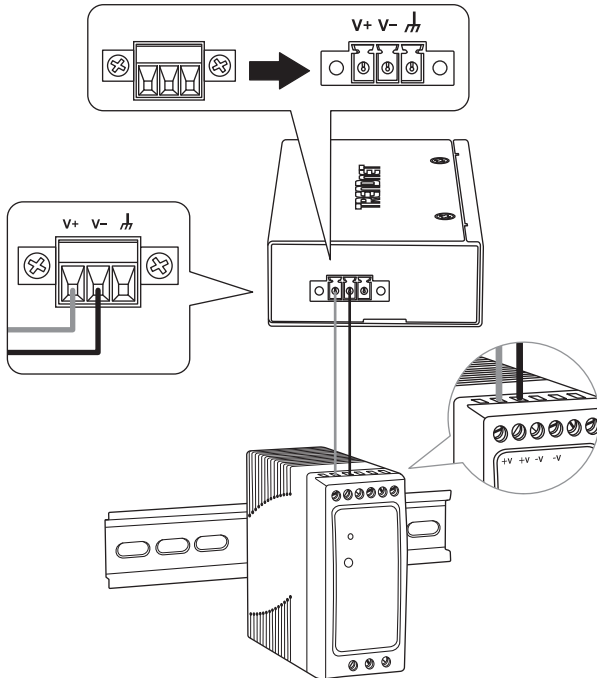
Applying Power

1. Connect the power supply (sold separately) to the included terminal block (as shown below) and secure with the screws.

Note: Polarities must match.

2. Attach the terminal block to the unit, connect the ground wire to the ground, and supply power to the power adapter.

Note: The switch model and power supply may be different than the one shown in the example below. Terminal blocks may be 3-pin (dual power input) or 6-pin (dual power input with alarm relay output) with differences in labeling.



3. Connect a network source and devices to the switch. Check the LEDs to confirm the connections are established. Your installation is completed.

Note: Please refer to the LED definition section on page 7-8 for reference to your switch model.

Safety Note



- Turn off the power before connecting any module or wire. The correct power supply voltage is listed on the product label. Check the voltage of your power source to make sure that you are using the correct part. Do NOT use voltage greater than the maximum listed on the product label.
- Calculate the maximum possible current in each power wire and common wire. Observe all electrical codes dictating the maximum current allowable for each wire size. If the current surpasses the maximum ratings, the wiring could overheat, causing serious damage to your equipment.

TI-GLC50 LED Indicators

LED	Status	Description
PWR	Solid Green	Power is Detected
	Off	Power is Not Detected
LINK / ACT	Solid Green	Connected
	Flashing Green	Data Transmitting / Receiving
	Off	No Connection

TI-GLC80 LED Indicators

LED	Status	Description
PWR	Solid Green	Power is Detected
	Off	Power is Not Detected
LINK	Solid Green	Connected
	Flashing Green	Data Transmitting / Receiving
	Off	No Connection
SPD	Solid Green	Connected at 1000Mbps
	Off	Connected at 10/100Mbps

TI-ELC50 LED Indicators

LED	Status	Description
PWR	Solid Green	Power is Detected
	Off	Power is Not Detected
LINK / ACT	Solid Green	Connected
	Flashing Green	Data Transmitting / Receiving
	Off	No Connection

TI-ELC80 LED Indicators

LED	Status	Description
PWR	Solid Green	Power is Detected
	Off	Power is Not Detected
LINK	Solid Green	Connected
	Flashing Green	Data Transmitting / Receiving
	Off	No Connection
SPD	Solid Green	Connected at 100Mbps
	Off	Connected at 10Mbps

Declaration of Conformity

TRENDNET®

Manufacturer's Name and Address

TRENDnet, Inc. Zwolsestraat 156 2587 WB
20675 Manhattan Place The Hague The Netherlands
Torrance, CA 90501 USA



Product Information:

Model Number: TI-GLC50 / TI-GLC80 / TL-ELC50 / TI-ELC80
Product Name: 5-Port Industrial Gigabit DIN-Rail Mini Switch
8-Port Industrial Gigabit DIN-Rail Mini Switch
5-Port Industrial Fast Ethernet DIN-Rail Mini Switch
8-Port Industrial Fast Ethernet DIN-Rail Mini Switch

Trade Name: TRENDnet

TRENDnet hereby declare that the product is in compliance with the essential requirements and other relevant provisions under our sole responsibility.

Safety EN 62368-1: 2014 (Second Edition)

EMC EN 55032:2015/A1:2020
AS/NZS CISPR 32:2015+A1:2020
EN 55035:2017/A11:2020
IEC 61000-4-2: 2008
IEC 61000-4-3: 2020
IEC 61000-4-4: 2012
IEC 61000-4-5: 2014/A1:2017
IEC 61000-4-6: 2013/COR1:2015
IEC 61000-4-8: 2009

This product is herewith confirmed to comply with the Directives.

Directives: EMC Directive 2014/30/EC, 2014/53/EU
RoHS Directive 2015/863/EU
RoHS 3 Directive 2015/863/EU
WEEE Directive 2012/19/EU
REACH Regulation (EC) No. 1907/2006
Low Voltage Directive 2014/35/EC

Person responsible for this declaration.

Place of Issue: Torrance, California, USA

Date: March 21, 2024

Name: Sonny Su

Title: VP of Technology

Signature:

A handwritten signature in black ink, appearing to read 'Sonny Su', is written over a horizontal line.



Declaration of Conformity

TRENDNET®

Manufacturer's Name and Address

TRENDnet, Inc.
20675 Manhattan Place
Torrance, CA 90501 USA

Authorized Representative:
Office: +44 (0) 1635 887 399
Unit 4 Rivermead Business Park,
Pipers Way, Thatcham, RG19 4EP
England

UK
CA

Product Information:

Model Number: TI-GLC50 / TI-GLC80 / TL-ELC50 / TI-ELC80
Product Name: 5-Port Industrial Gigabit DIN-Rail Mini Switch
8-Port Industrial Gigabit DIN-Rail Mini Switch
5-Port Industrial Fast Ethernet DIN-Rail Mini Switch
8-Port Industrial Fast Ethernet DIN-Rail Mini Switch

Trade Name: TRENDnet

TRENDnet hereby declare that the product is in compliance with the essential requirements and other relevant provisions under our sole responsibility.

Safety BS EN 62368-1: 2014 (Second Edition)

EMC BS EN 55032:2015/A1:2020
AS/NZS CISPR 32:2015+A1:2020
BS EN 55035:2017/A11:2020
BS IEC 61000-4-2: 2008
BS IEC 61000-4-3: 2020
BS IEC 61000-4-4: 2012
BS IEC 61000-4-5: 2014/A1:2017
BS IEC 61000-4-6: 2013/COR1:2015
BS IEC 61000-4-8: 2009

This product is herewith confirmed to comply with the Directives.

Directives: Electromagnetic Compatibility Regulations 2016, 2014/53/EU
The Restriction of the Use of Certain Hazardous Substances in Electrical and Electronic Equipment Regulations 2012
The Waste Electrical and Electronic Equipment Regulations 2013 (as amended)
The REACH Enforcement Regulations 2008 (as amended)
Electrical Equipment (Safety) Regulations 2016

Person responsible for this declaration.

Place of Issue: Torrance, California, USA

Date: March 21, 2024

Name: Sonny Su

Title: VP of Technology

Signature:



Certifications

This device complies with Part 15 of the FCC Rules. Operation is subject to the following two conditions:
(1) This device may not cause harmful interference.
(2) This device must accept any interference received. Including interference that may cause undesired operation.



Waste electrical and electronic products must not be disposed of with household waste. Please recycle where facilities exist. Check with your Local Authority or Retailer for recycling advice.

This equipment has been tested and found to comply with the limits for a Class A digital device, pursuant to part 15 of the FCC Rules. These limits are designed to provide reasonable protection against harmful interference when the equipment is operated in a commercial environment. This equipment generates, uses, and can radiate radio frequency energy and, if not installed and used in accordance with the instruction manual, may cause harmful interference to radio communications. Operation of this equipment in a residential area is likely to cause harmful interference in which case the user will be required to correct the interference at his own expense.

FCC Caution: Any changes or modification not expressly approved by the party responsible for compliance could void the user's authority to operate this equipment.

Technical Support

If you have any questions regarding the product installation, please contact our Technical Support. Toll free US/Canada: **1-855-373-4741**
Regional phone numbers available at www.trendnet.com/support

TRENDnet

20675 Manhattan Place
Torrance, CA 90501
USA

Applies to PoE Products Only: This product is to be connected only to PoE networks without routing to the outside plant.

Note

The Manufacturer is not responsible for any radio or TV interference caused by unauthorized modifications to this equipment. Such modifications could void the user's authority to operate the equipment.

Advertencia

En todos nuestros equipos se mencionan claramente las características del adaptador de alimentación necesario para su funcionamiento. El uso de un adaptador distinto al mencionado puede producir daños físicos y/o daños al equipo conectado. El adaptador de alimentación debe operar con voltaje y frecuencia de la energía eléctrica domiciliar existente en el país o zona de instalación.

Power supply connected caution

The equipment power supply cord shall be connected to a socket-outlet with earthing connection.

Advertencia

Le cordon d'alimentation de l'appareil doit être raccordé à une prise de courant avec mise à la terre.

If the Optical Transceiver doesn't ship with the unit, the user manual shall have description as below or equivalent: "This product is intended to be used with a UL Listed Optical Transceiver product, Rated DC3.3V, Laser Class I."

Wall mounting Instructions

The Unit has two wall-mount slots on its bottom panel. Before you begin, make sure you have two screws that indicate a diameter measurement of 0.265748 inches (6.75mm).

- (1) Determine where you want to mount the switch.
- (2) Maneuver the switch so the wall-mount slots line up with the two screws.
- (3) Place the wall-mount slots over the screws and slide the switch down until the screws fit snugly into the wall-mount slots.
- (4) Screw type P3.5 x 16mm x 2

Product Warranty Registration

Please take a moment to register your product online. Go to TRENDnet's website at: www.trendnet.com/register