

TRENDnet®



Quick Installation Guide

Web Smart Switch Series

Table of Contents

1 English

1. Before You Start
2. Quick Reference
3. Hardware Installation and Configuration

1. Before You Start

Package Contents

- Quick Installation Guide
- Power cord (1.8m / 6 ft.)
- Rack mount kit

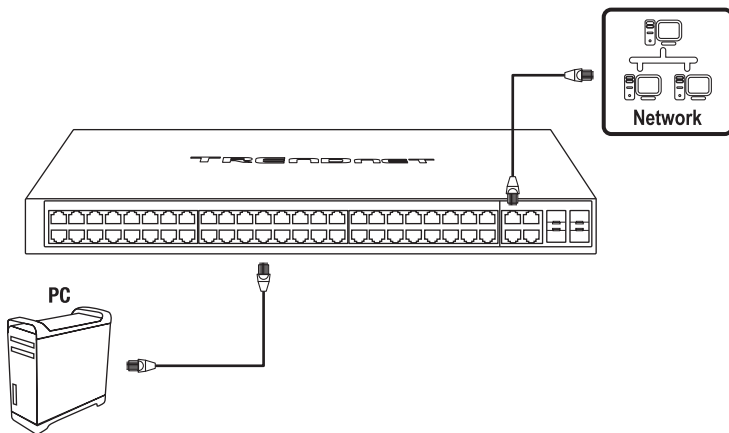
Minimum Requirements

- Computer with an Ethernet port and web browser
- Network cable

Optional Equipment

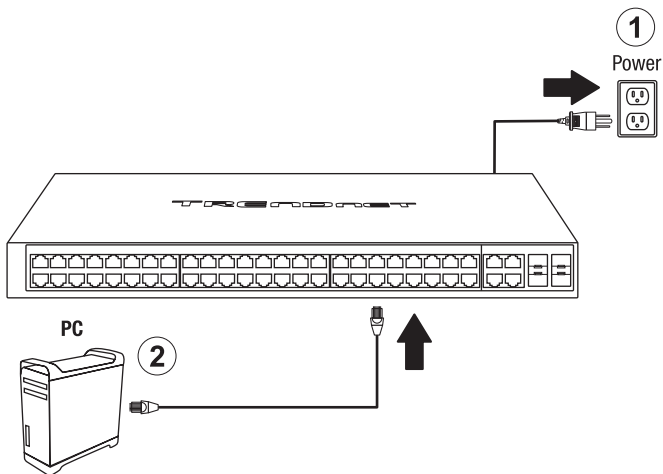
- EIA standard 19" rack
- SFP modules (e.g. TE100-MGBFX, TEG-MGBSX, TEG-MGBS10, TEG-MGBS40, TEG-MGBS80, TEG-MGBS10D3, TEG-MGBS10D5, TEG-MGBS40D3, TEG-MGBS40D5)

2. Quick Reference

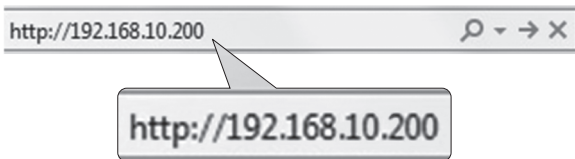


Note: The switch may be different than the one shown in the examples.

3. Hardware Installation and Configuration



3. Assign a Static IP address to your computer's network adapter in the subnet of 192.168.10.x (e.g. 192.168.10.25) and a subnet mask of 255.255.255.0.
4. Open your web browser, type the IP address of the switch in the address bar, and then press **Enter**. The default IP address is 192.168.10.200.



5. Enter the **User name** and **Password**, and then click **LOGIN**. By default:

User Name: **admin**

Password: **admin**

Note: User Name and Password are case sensitive.

The screenshot shows a login form with two input fields. The first field is labeled 'Username' and contains the text 'admin'. The second field is labeled 'Password' and also contains the text 'admin'. Below the fields is a 'Login' button. Callout boxes point to each of these elements.

6. Click **System**, then click **L3 Feature**, and then click on **IPv4 Interface**.

7. Click on **Edit** to enter the IPv4 Interface Configuration Page and configure the settings below to match the requirements of your network. Then click **Apply**.

The screenshot shows the 'IPv4 Interface Configuration' page. On the left is a navigation menu with 'System' selected. Under 'System', 'L3 Feature' is selected, and under 'L3 Feature', 'IPv4 Interface' is selected. The main content area shows configuration options for 'vlan1'. The 'Status Settings' section has 'Interface' set to 'vlan1' and 'State' set to 'Enabled'. The 'IP Settings' section has 'Get IP Form' set to 'Static', 'IP Address' set to '192.168.10.200', and 'Subnet Mask' set to '255.255.255.0'. There are 'Apply' buttons for both sections. A large callout box labeled 'Apply' points to the bottom 'Apply' button.

8. Click **OK**.

Please confirm



The management session will be disconnected. Use new IP address to connect to device.

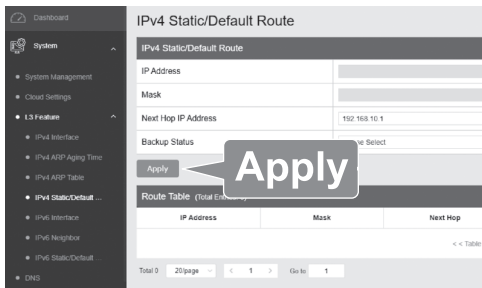
Cancel

OK

OK

9. Login with the new IP address. Click on **System**, then click on **L3 Feature**, and click on **IPv4 Static/Default Route**.

10. Configure the Default Gateway IP under **Next Hop IP Address** and select **Primary** from the drop-down menu under **Backup Status**.



11. Click **Apply** and your gateway should appear in the table below.

12. Click on the **Save Icon**  on the top right of the GUI to save your settings to the Flash.

Note:

1. If you would like to easily discover all the Web Management Switches on the network, assign IP address, change password, then install the Web Smart Switch Management Utility. Follow the steps provided on the user's guide.
2. To download the latest version of the user's guide and the utility, please go to <http://www.trendnet.com/support> and select the **Switch Model** from the products drop down list.

Declaration of Conformity

TRENDNET[®]

Manufacturer's Name and Address

TRENDnet, Inc.
20675 Manhattan Place
Torrance, CA 90501 USA

Zwolsestraat 156 2587 WB
The Hague The Netherlands



Product Information:

Model Number: TEG-30284
Product Name: 28-Port Gigabit Web Smart Switch with 10G SFP+ slots
Trade Name: TRENDnet

TRENDnet hereby declare that the product is in compliance with the essential requirements and other relevant provisions under our sole responsibility.

Safety EN 62368-1:2014 + A11: 2017 (TEG-30284)
EMC EN 55032:2012+AC: 2013 (CISPR32:2012) (Class A)
EN 55032:2015+AC: 2016 (CISPR32:2015/COR1:2016) (Class A) (TEG-30284)
EN 61000-3-2:2014
EN 61000-3-3:2013
EN 55024:2010
EN 55024:2010+A1:2015 (TEG-30284)

This product is herewith confirmed to comply with the Directives

Directives EMC Directive 2014/30/EU
RoHS Directive 2011/65/EU
RoHS 3 Directive 2015/863/EU
WEEE Directive 2012/19/EU
REACH Regulation (EU) No. 1907/2006
Low Voltage Directive 2014/35/EU

Person responsible for this declaration.

Place of Issue: Torrance, California, USA

Date: May 27, 2021

Name: Sonny Su

Title: VP of Technology

Signature:

A handwritten signature in black ink, appearing to read 'Sonny Su', is written over a horizontal line.



Declaration of Conformity

TRENDnet[®]

Manufacturer's Name and Address

TRENDnet, Inc.
20675 Manhattan Place
Torrance, CA 90501 USA



Authorized Representative:
Office: +44 (0) 1635 887 399
Unit 4 Rivermead Business Park,
Pipers Way, Thatcham, RG19 4EP England

Product Information:

Model Number: TEG-30284
Product Name: 28-Port Gigabit Web Smart Switch with 10G SFP+ slots
Trade Name: TRENDnet

TRENDnet hereby declare that the product is in compliance with the essential requirements and other relevant provisions under our sole responsibility.

Safety EN 62368-1:2014 + A11: 2017 (TEG-30284)
EMC EN 55032:2012+AC: 2013 (CISPR32:2012) (Class A)
EN 55032:2015+AC: 2016 (CISPR32:2015/COR1:2016) (Class A) (TEG-30284)
EN 61000-3-2:2014
EN 61000-3-3:2013
EN 55024:2010
EN 55024:2010+A1:2015 (TEG-30284)

This product is herewith confirmed to comply with the Directives

Directives Electromagnetic Compatibility Regulations 2016
The Restriction of the Use of Certain Hazardous Substances in Electrical and Electronic Equipment Regulations 2012
The Waste Electrical and Electronic Equipment Regulations 2013 (as amended)
The REACH Enforcement Regulations 2008 (as amended)
Electrical Equipment (Safety) Regulations 2016

Person responsible for this declaration.

Place of Issue: Torrance, California, USA

Date: May 27, 2021

Name: Sonny Su

Title: VP of Technology

Signature:

A handwritten signature in black ink, appearing to read 'Sonny Su', is written over a horizontal line.

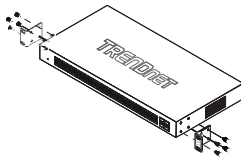


UL Warning

- 1) Elevated Operating Ambient Temperature - If installed in a closed or multi-unit rack assembly, the operating ambient temperature of the rack environment may be greater than room ambient. Therefore, consideration should be given to installing the equipment in an environment compatible with the manufacturer's maximum rated ambient temperature (T_{ma}).
- 2) Reduced Air Flow - Installation of the equipment in a rack should be such that the amount of air flow required for safe operation of the equipment is not compromised.
- 3) Mechanical Loading - Mounting of the equipment in the rack should be such that a hazardous condition is not achieved due to uneven mechanical loading.
- 4) Circuit Overloading - Consideration should be given to the connection of the equipment to the supply circuit and the effect that overloading of circuits might have on over current protection and supply wiring. Appropriate consideration of equipment nameplate ratings should be used when addressing this concern.
- 5) Reliable Earthing - Reliable earthing of rack-mounted equipment should be maintained. Particular attention should be given to supply connections other than direct connections to the branch circuit (e.g., use of power strips).

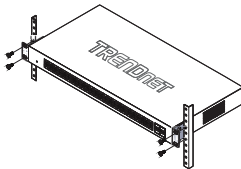
Rack Installation

The Switch can be mounted in an EIA standard, 19-inch rack, which can be placed in a wiring closet with other equipment. To install, attach the mounting brackets to the switch's front panel (one on each side) and secure them with the screws provided.



Attaching the mounting brackets to the Switch

Use the screws provided with the equipment rack to mount the Switch on the rack.



Installing the Switch in an equipment rack

TRENDNET[®]

Certifications

This device complies with Part 15 of the FCC Rules.

Operation is subject to the following two conditions:

- (1) This device may not cause harmful interference.
- (2) This device must accept any interference received.

Including interference that may cause undesired operation.



Waste electrical and electronic products must not be disposed of with household waste. Please recycle where facilities exist. Check with your Local Authority or Retailer for recycling advice.

Fiber product warning note:

If the Optical Transceiver doesn't ship with the unit, the user manual shall have the description as below or equivalent:

"This product is intended to be used with a UL Listed Optical Transceiver product, Rated DC3.3V, Laser Class I."

Laser warning note:

This product is intended to be used with a UL Listed Optical Transceiver product, Rated DC3.3V, Laser Class I.

Technical Support

If you have any questions regarding the product installation, please contact our Technical Support.

Toll free US/Canada: **1-855-373-4741**

Regional phone numbers available at www.trendnet.com/support

TRENDnet

20675 Manhattan Place
Torrance, CA 90501
USA

Applies to PoE Products Only: This product is to be connected only to PoE networks without routing to the outside plant.

Note

The Manufacturer is not responsible for any radio or TV interference caused by unauthorized modifications to this equipment. Such modifications could void the user's authority to operate the equipment.

Advertencia

En todos nuestros equipos se mencionan claramente las características del adaptador de alimentación necesario para su funcionamiento. El uso de un adaptador distinto al mencionado puede producir daños físicos y/o daños al equipo conectado. El adaptador de alimentación debe operar con voltaje y frecuencia de la energía eléctrica domiciliar existente en el país o zona de instalación.

Product Warranty Registration

Please take a moment to register your product online. Go to TRENDnet's website at:

www.trendnet.com/register