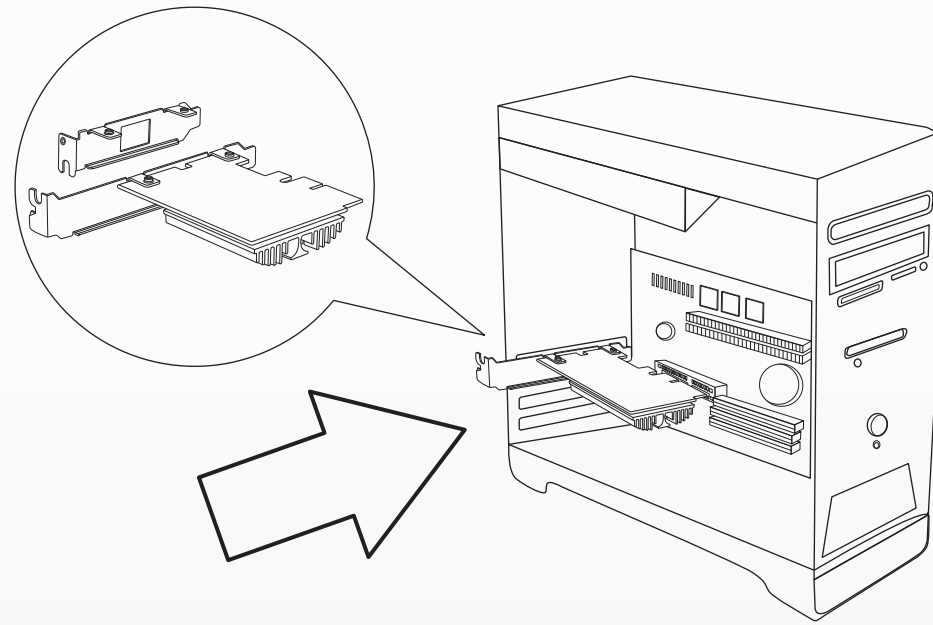


Quick Installation Guide

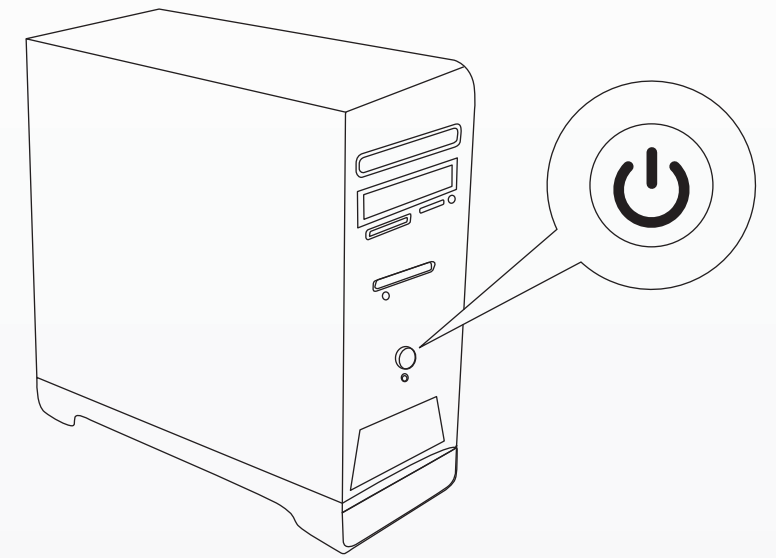
10G PCIe Network Adapter
TEG-10GECTX

2.5GBASE-T PCIe Network Adapter
TEG-25GECTX

1



2



Note: Your PCIe network card may be different than the one shown in the example

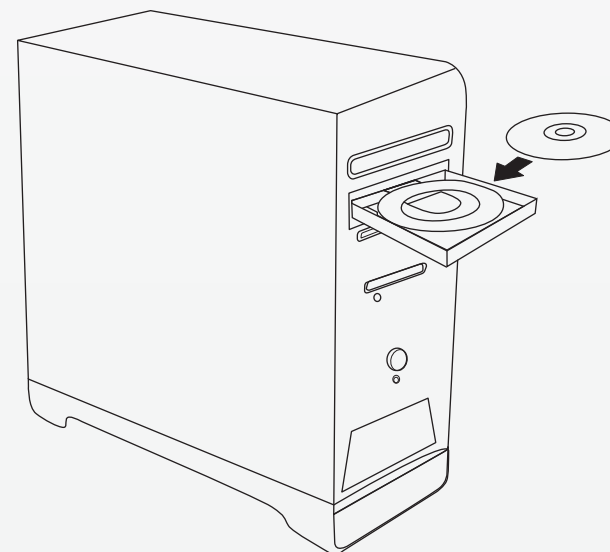
LED Indicators (TEG-10GECTX)

LED	Status	Description
Speed	Green (Solid)	10Gbps Link Connected
	Amber (Solid)	1Gbps / 2.5Gbps / 5Gbps Link Connected
	Off	No Connection
Activity	Green (Solid)	100Mbps / 1Gbps / 2.5Gbps / 10Gbps Link Connected
	Green (Blinking)	Data Transmitting
	Off	No connection

LED Indicators (TEG-25GECTX)

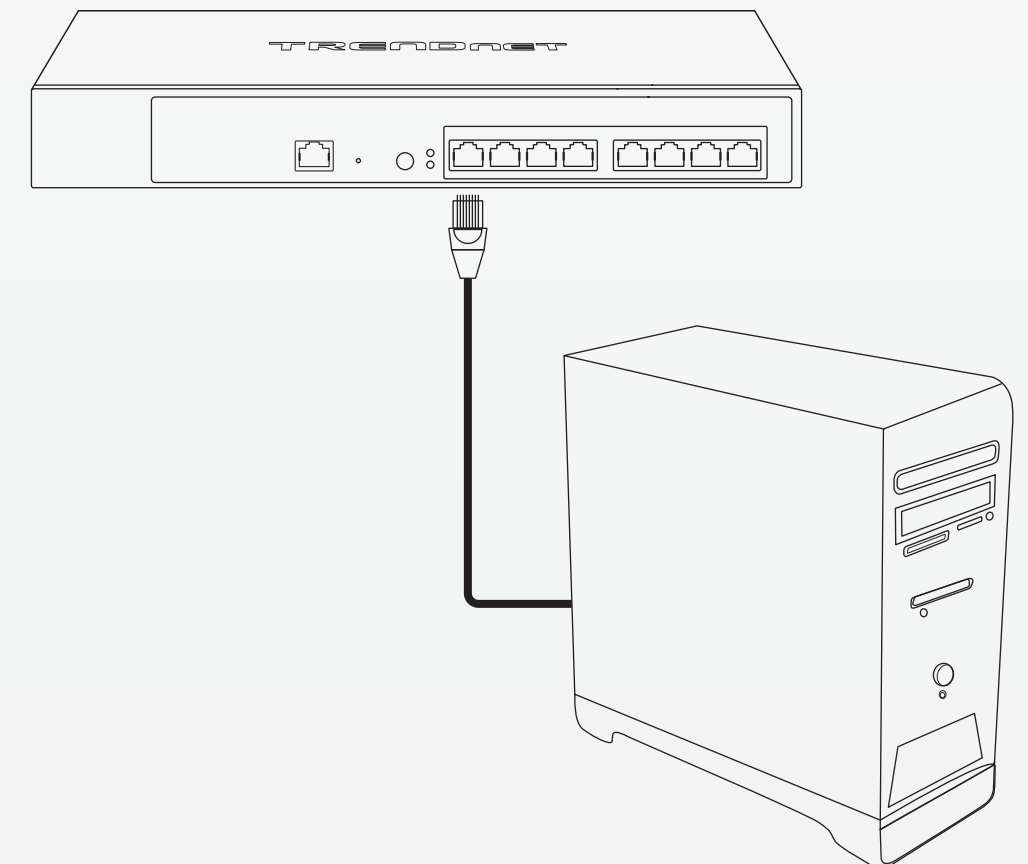
LED	Status	Description
100M/1000M	Green (Solid)	100Mbps / 1000Mbps Link
	Green (Blinking)	Data transmitting
	Off	No Link
2.5G	Amber (Solid)	2.5Gbps Link
	Amber (Blinking)	Data transmitting
	Off	No Link

3



Reboot computer after install

4



Declaration of Conformity

TRENDnet®

Manufacturer's Name and Address

TRENDnet, Inc.
20675 Manhattan Place
Torrance, CA 90501 USA

Zwolsestraat 156 2587 WB
The Hague The Netherlands



Product Information:

Model Number: TEG-10GECTX / TEG-25GECTX

Product Name: 10G PCIe Network Adapter
2.5GBASE-T PCIe Network Adapter

Trade Name: TRENDnet

TRENDnet hereby declares that the product is in compliance with the essential requirements and other relevant provisions under our sole responsibility.

EMC EN 55032:2015/A1:2020 (TEG-10GECTX)
EN IEC 61000-3-2:2019+A1:2021 (TEG-10GECTX)
EN 61000-3-3:2013+A2:2021 (TEG-10GECTX)
EN 55035:2017/A11:2020 (TEG-10GECTX)
EN 55032:2015 + AC: 2016 (TEG-25GECTX)
EN 55035:2017 (TEG-25GECTX)

This product is herewith confirmed to comply with the Directives.

Directives: EMC Directive 2014/30/EU
RoHS Directive (EU) 2015/863
RoHS Directive 2011/65/EU
WEEE Directive 2012/19/EU
REACH Regulation (EC) No. 1907/2006

Person responsible for this declaration.

Place of Issue: Torrance, California, USA

Date: January 09, 2024

Title: VP of Technology

Name: Sonny Su

Signature:



Déclaration de conformité

TRENDnet®

Nom et adresse du fabricant

TRENDnet, Inc.
20675 Manhattan Place
Torrance, CA 90501 USA

Zwolsestraat 156 2587 WB
The Hague The Netherlands



Nom du produit:

Modèle: TEG-10GECTX / TEG-25GECTX

Détails du produit Adaptateur réseau PCIe 10G
Adaptateur réseau PCIe 2,5GBASE-T

Nom Commercial: TRENDnet

TRENDnet déclare par la présente que le produit est conforme aux exigences essentielles et aux autres dispositions pertinentes de la Directive en vertu de notre seule responsabilité.

CEM EN 55032:2015/A1:2020 (TEG-10GECTX)
EN IEC 61000-3-2:2019+A1:2021 (TEG-10GECTX)
EN 61000-3-3:2013+A2:2021 (TEG-10GECTX)
EN 55035:2017/A11:2020 (TEG-10GECTX)
EN 55032:2015 + AC: 2016 (TEG-25GECTX)
EN 55035:2017 (TEG-25GECTX)

Ce produit est conforme à la directives suivante.

Directives: Directive CEM 2014/30/UE
Directive RoHS (UE) 2015/863
Directive RoHS 2011/65/UE
Directive WEEE 2012/19/UE
REACH Règlement (CE) N° 1907/2006

Personne responsable de cette déclaration.

Lieu de délivrance: Torrance, California, USA

Date: 09 janvier, 2024

Position: Vice-président de Technologie

Nom: Sonny Su

Signature:



Konformitätserklärung

TRENDnet®

Name und Adresse des Herstellers

TRENDnet, Inc.
20675 Manhattan Place
Torrance, CA 90501 USA

Zwolsestraat 156 2587 WB
The Hague The Netherlands



Informationen zum Produkt

Modellnummer: TEG-10GECTX / TEG-25GECTX

Produktname: 10G-PCIe-Netzwerkadapter
2,5GBASE-T PCIe Netzwerkadapter

Handelsname: TRENDnet

TRENDnet erklärt hiermit, dass das Produkt den grundlegenden Anforderungen und anderen relevanten Bestimmungen unter unserer alleinigen Verantwortung entspricht.

EMV EN 55032:2015/A1:2020 (TEG-10GECTX)
EN IEC 61000-3-2:2019+A1:2021 (TEG-10GECTX)
EN 61000-3-3:2013+A2:2021 (TEG-10GECTX)
EN 55035:2017/A11:2020 (TEG-10GECTX)
EN 55032:2015 + AC: 2016 (TEG-25GECTX)
EN 55035:2017 (TEG-25GECTX)

Hiermit wird bestätigt, dass dieses Produkt den folgenden Richtlinien entspricht.

Richtlinien: EMV-Richtlinie 2014/30/EU
RoHS-Richtlinie (EU) 2015/863
RoHS-Richtlinie 2011/65/EU
WEEE-Richtlinie 2012/19/EU
REACH-Verordnung (EG) Nr. 1907/2006

Für diese Erklärung verantwortliche Person.

Ort der Ausstellung: Torrance, California, USA

Datum: Januar 09, 2024

Titel: Vice President of Technology

Name: Sonny Su

Unterschrift:



Declaration of Conformity

TRENDnet®

Manufacturer's Name and Address

TRENDnet, Inc.
20675 Manhattan Place
Torrance, CA 90501 USA

Authorized Representative:
Office: +44 (0) 1635 887 399
Unit 4 Rivermead Business Park,
Pipers Way, Thatcham, RG19 4EP England



Product Information:

Model Number: TEG-10GECTX / TEG-25GECTX

Product Name: 10G PCIe Network Adapter
2.5GBASE-T PCIe Network Adapter

Trade Name: TRENDnet

TRENDnet hereby declares that the product is in compliance with the essential requirements and other relevant provisions under our sole responsibility.

EMV BS EN 55032:2015/A1:2020 (TEG-10GECTX)
BS EN IEC 61000-3-2:2019+A1:2021 (TEG-10GECTX)
BS EN 61000-3-3:2013+A2:2021 (TEG-10GECTX)
BS EN 55035:2017/A11:2020 (TEG-10GECTX)
BS EN 55032: 2015 (TEG-25GECTX)
BS EN 55035:2017 (TEG-25GECTX)

This product is herewith confirmed to comply with the Directives.

Directives: Electromagnetic Compatibility Regulations 2016
The Restriction of the Use of Certain Hazardous Substances in Electrical and Electronic Equipment Regulations 2012
The Waste Electrical and Electronic Equipment Regulations 2013 (as amended)
The REACH Enforcement Regulations 2008 (as amended)

Person responsible for this declaration.

Place of Issue: Torrance, California, USA

Date: January 09, 2024

Title: VP of Technology

Name: Sonny Su

Signature:



Limited Warranty

TRENDnet warrants its products against defects in material and workmanship, under normal use and service. Specific warranty periods are listed on each of the respective product pages on the TRENDnet website.

Garantie Limitée

TRENDnet garantit ses produits contre les problèmes de matériel ou de fabrication, dans des conditions normales d'utilisation et de service. Les périodes de garanties précises sont mentionnées sur chacun des pages produits du site web de TRENDnet.

Eingeschränkte Garantie

TRENDnet gewährt eine Garantie für seine Produkte im Falle von Material- und Bearbeitungsdefekten, bei normaler Verwendung und Wartung. Spezielle Garantiezeiträume werden auf jeder Produktseite auf der Website von TRENDnet genannt.

Garantía limitada

TRENDnet garantiza que sus productos carecen de defectos en el material y la fabricación, en condiciones de uso y funcionamiento normales. Los periodos específicos de garantía figuran en cada una de las páginas de producto del sitio web de TRENDnet.

Garantia Limitada

A TRENDnet garante seus produtos contra defeitos de material e mão de obra sob condições normais de uso e serviço. Os períodos de garantia específicos estão listados em cada uma das páginas dos respectivos produtos no site da TRENDnet.

Piiratud garantii

TRENDneti garantii hõlmab materjali- ja koostamisdefekte, mis ilmnevad toote tavapärasel kasutamisel. Garantiiaja täpne pikkus konkreitse toote puhul on leitav TRENDneti kodulehelt vastava toote infolehel.

Garanzia limitata

TRENDnet garantisce i propri prodotti da difetti di materiali e manodopera, in condizioni di normale uso ed esercizio. I periodi di garanzia specifici sono elencati sulle rispettive pagine di prodotto sul sito TRENDnet.

Certifications

This device complies with Part 15 of the FCC Rules. Operation is subject to the following two conditions:

- (1) This device may not cause harmful interference.
- (2) This device must accept any interference received. Including interference that may cause undesired operation.



Waste electrical and electronic products must not be disposed of with household waste. Please recycle where facilities exist. Check with your Local Authority or Retailer for recycling advice.

Technical Support

If you have any questions regarding the product installation, please contact our Technical Support.
Toll free US/Canada: **1-866-845-3673**
Regional phone numbers available at www.trendnet.com/support

TRENDnet
20675 Manhattan Place
Torrance, CA 90501
USA

Applies to PoE Products Only: This product is to be connected only to PoE networks without routing to the outside plant.

Note

The Manufacturer is not responsible for any radio or TV interference caused by unauthorized modifications to this equipment. Such modifications could void the user's authority to operate the equipment.

Advertencia

En todos nuestros equipos se mencionan claramente las características del adaptador de alimentación necesario para su funcionamiento. El uso de un adaptador distinto al mencionado puede producir daños físicos y/o daños al equipo conectado. El adaptador de alimentación debe operar con voltaje y frecuencia de la energía eléctrica domiciliar existente en el país o zona de instalación.

Product Warranty Registration

Please take a moment to register your product online. Go to TRENDnet's website at: www.trendnet.com/register