



Cable/DSL Advanced VPN Firewall Router TW100-BRV304

TRENDnet's TW100-BRV304 Cable/DSL Advanced VPN Firewall Router provides small business users advanced broadband security with a Stateful Packet Inspection Firewall (SPI) that filters traffic down to the packet level and incorporates protection against popular hacker attacks such as Denial of Service (DoS) attempts. It includes VPN encryption with support for up to 70 simultaneous VPN tunnels via client pc-to-endpoint or endpoint-to-endpoint configuration. To allow direct access to a web server or PC around the firewall the router includes a dedicated DMZ port. Installation and VPN Set-up is quick and easy with the help of the install wizard. The new VPN Firewall family delivers advanced security at an affordable price.

FEATURES

- Built-in 3 x 10/100Mbps Auto-MDIX Ports
- Built-in 1 x 10/100Mbps WAN Port and 1 x 10/100Mbps DMZ Port
- Supports Cable/DSL Modems with Dynamic IP, Static (Fixed) IP, PPPoE, PPTP, or L2TP Connection Types
- Compliant with Windows 95/98/ME/NT/2000/XP, Unix, and Mac System
- Supports up to 70 IPSec Tunnels
- Supports 100 (IPSec, L2TP, PPTP) Pass-Through Sessions Simultaneously (when each VPN client connects to a different VPN endpoint)
- Supports PPTP 1 Server and 10 Client (Microsoft VPN) VPN Connections
- Website Access Restriction using URL Keywords (50 entries) and Special Application Access
- Provides Virtual Servers (Port Forwarding) and Services Type Control with up to 60 Firewall Rules
- Provides Access Control with user define Services Types (70 entries)
- Provides Static Routing, Dynamic DNS Service, Hardware DMZ, and Software Multi-DMZ
- ALGs (Application Level Gateways) and Special Application Support (6 entries) or smooth on-line Gaming behind a Firewall and UPnP (Universal Plug & Play) Support
- Supports Network Address Translation (NAT/NAPT) and Stateful Packet Inspection (SPI) Firewall
- Real-Time Email Alert and Logs (Incoming, Outgoing, System, and VPN)
- Easy Web Browser (HTTP) Configuration and Remote Management (HTTPS)
- Flash Memory for Firmware Upgrade and Save/Restore Router Configuration
- 5-Year Warranty

BENEFITS

Easy Integration:

With the built-in 10/100Mbps Switch, you can integrate this device to any Ethernet/Fast Ethernet Network

Cost-Effectiveness:

Share the broadband Internet connection, saves router costs and account charges.

Security:

Firewall protection keeps hackers out.

Performance:

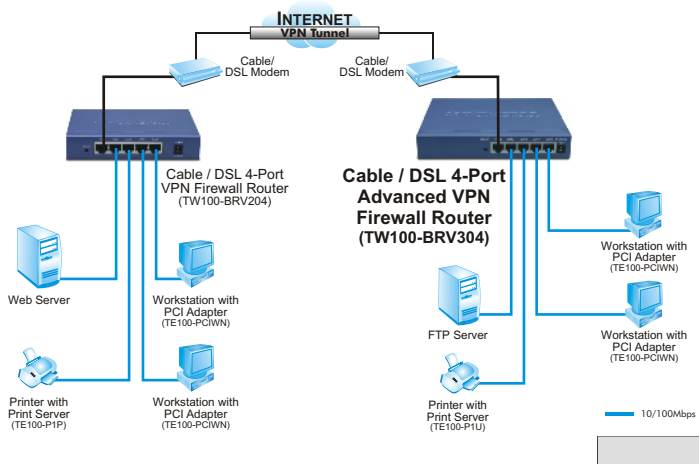
Experience the high speed Internet access while reducing network traffic.

Cable/DSL Advanced VPN Firewall Router TW100-BRV304

SPECIFICATIONS

Hardware	
Standards	• IEEE 802.3 (10-Base T), 802.3u (100-Base TX)
Protocol	• NAT, PPPoE, NTP, SMTP, HTTP, TFTP, DHCP, TCP/IP, PAP, CHAP, RIP1, RIP2, DDNS
WAN	• 1 x 10/100Mbps Port (Internet)
LAN	• 3 x 10/100Mbps Auto-MDIX Ports
DMZ	• 1 x 10/100Mbps Auto-MDIX Port
LED Indicators	• Unit: Power, Status, PPPoE • LAN Ports/DMZ Port: Link/Act, 100
Power Adapter	• 12V DC, 800mA
Dimensions (L x W x H)	• 170 x 147 x 27 mm (6.7x 5.8 x 1.06 inches)
Weight	• 0.6 kg (20.8 oz.)
Temperature	• Operating: 0° to 40° C (32° to 104° F); Storage: -10° to 70° C (14° to 158° F)
Humidity	• Operating: 0 % ~ 80 % (non-condensing); Storage: 0% ~ 95% (non-condensing)
Certifications	• FCC, CE, VCCI
Router	
Firewall	• NAT Firewall, SPI Firewall
Security	• URL Filter, Access Control, Password Protection, Email Alert and Logs
VPN (IPSec)	• MD5-HMAC/SHA1-HMAC Authentication, DES-CBC, 3DES-CBC Encryption, Internet Key Exchange, Manual Key Negotiation
VPN Tunnels	• 70 (IPSec), 10 (PPTP)
VPN Pass-Through	• IPSec, PPTP, L2TP (100 Sessions)

NETWORKING SOLUTIONS



RELATED PRODUCTS

TW100-BRV204	Cable/DSL VPN Firewall Router
TW100-S4W1CA	DSL/Cable Broadband Router with 4-Port Switch
TW100-BRF104	4- Port Broadband Router + Firewall

ORDERING INFORMATION

TRENDnet

3135 Kashiwa Street, Torrance, CA 90505 USA
 Tel: 1-310-891-1100
 Fax: 1-310-891-1111
 Web: www.trendnet.com
 Email: sales@trendnet.com

To Order Please Call:

1-888-326-6061

