

TV-IP100

Internet Camera Server

Quick Installation Guide

Version 2.6.04



Copyright ©2004. All Rights Reserved. TRENDware International, Inc.

1. Prepare for Installation

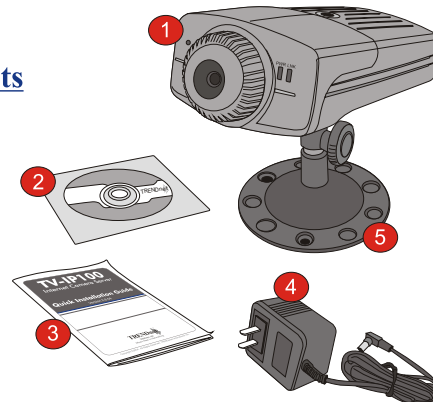
Thank you for purchasing the TV-IP100. With this Wireless Internet Camera you will be able to view live images from internal or external networks.

This guide will help you set-up and configure your Internet Camera. Following the installation instructions should be quick and easy. If you run into problems please refer to the Troubleshooting section or the more detailed installation procedures on the CD User's Guide. If you need further technical support, please visit www.trendnet.com or call our technical support by phone.

Verify Package Contents

Please check to make sure you have everything in the box:

1. TV-IP100
2. Utility CD-ROM
3. Quick Installation Guide
4. AC Power Adapter
5. Metal Stand



Verify Equipment

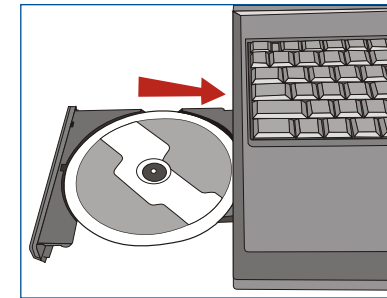
Before setting up the IP Camera, you should have:

1. A Computer with a working network card.
2. TCP/IP protocol installed on the Computer.
3. A Web Browser such as Internet Explorer (5.0 or higher) or Netscape Navigator (4.7 or higher) installed.
4. A Hub or Switch connecting your existing wired network.

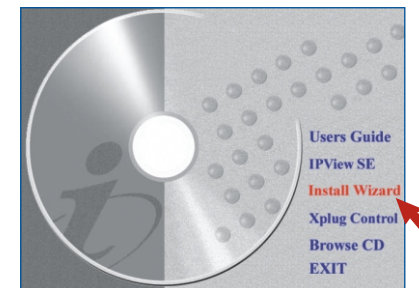
1

3. Install the Setup Wizard

1. Insert the Utility CD-ROM into your CD-ROM Drive.

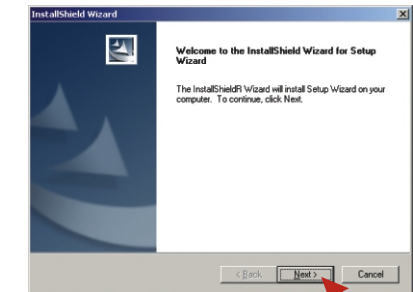


2. The Startup Window will appear; click on **Install Wizard**.

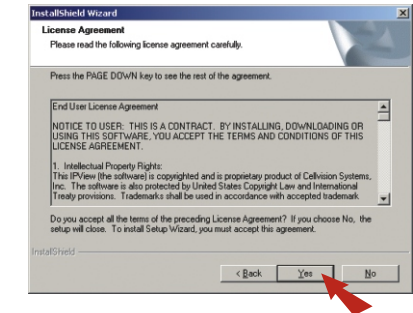


4

3. The following window will appear; click **Next** to install the Setup Wizard.



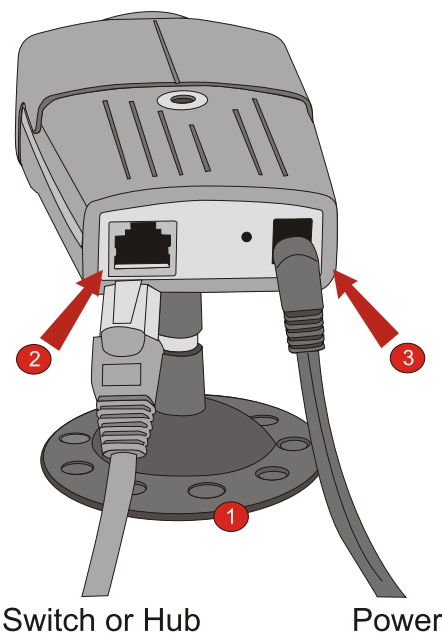
4. Read through the License Agreement and click **Yes** to continue.



5

2. Install Hardware

1. Setup the metal stand and mount the Internet Camera to the stand.
2. Connect the RJ-45 network cable to the Internet Camera then connect the other end of the network cable to a switch or hub. This is to ensure the Internet Camera is connected to your network.
3. Connect the power adapter to the Internet Camera. Make sure you use the power adapter supplied with the Internet Camera. (Note: Using a different power adapter may damage the unit.)



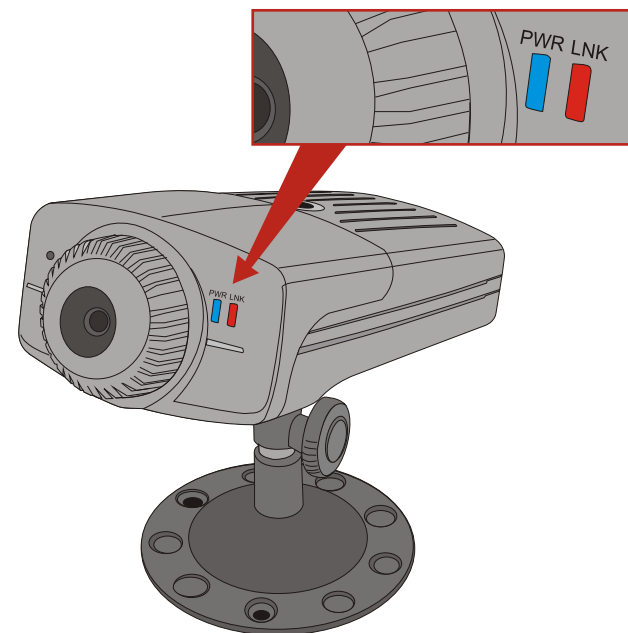
To Switch or Hub

Power

2

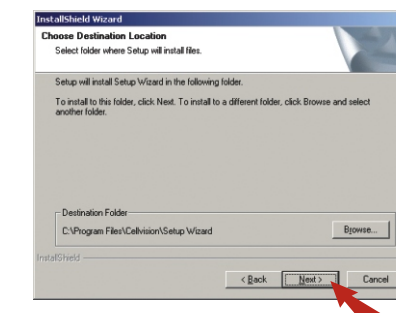
Verify Hardware Installation

Verify proper hardware installation by checking that the Power (PWR) and Link (LNK) LEDs are lit up. After the hardware installation is completed successfully, please install the Setup Wizard.

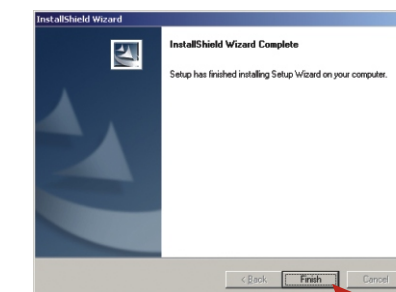


3

5. Click **Next** on the "Choose Destination Location" window.

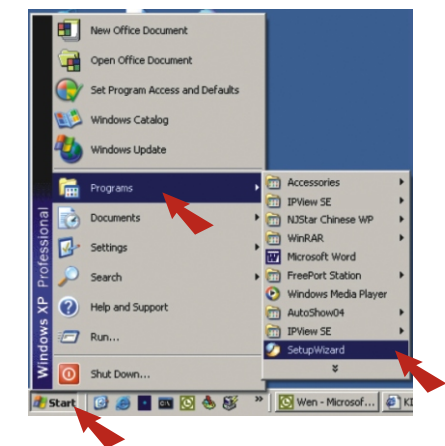


6. Click **Finish** to complete the installation.

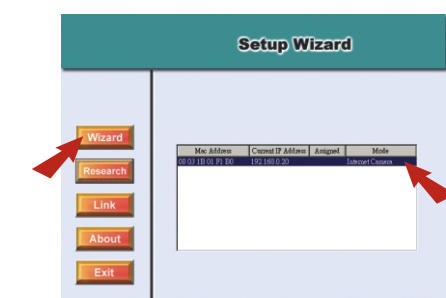


6

7. Find the **Start** button located on the Desktop, click on **Start**, click on **Programs** and then select **Setup Wizard**.



8. The Setup Wizard window will appear, and the camera you connected to the network should show in the display window. Select the listed camera and click on the **Wizard** button to configure the camera.



7

9. If the Internet Camera has a different IP range as your existing network, you will be prompted with the following message. Click **Yes** to continue.

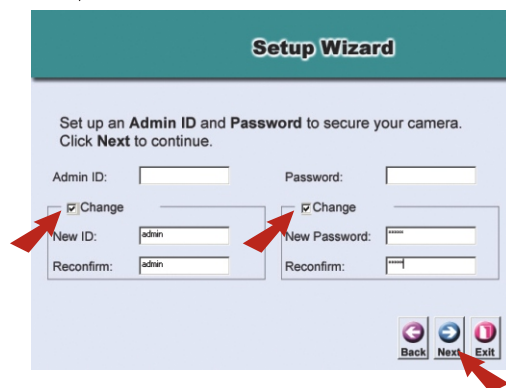


Note: If you do not receive this message, please go to **Step 12**.

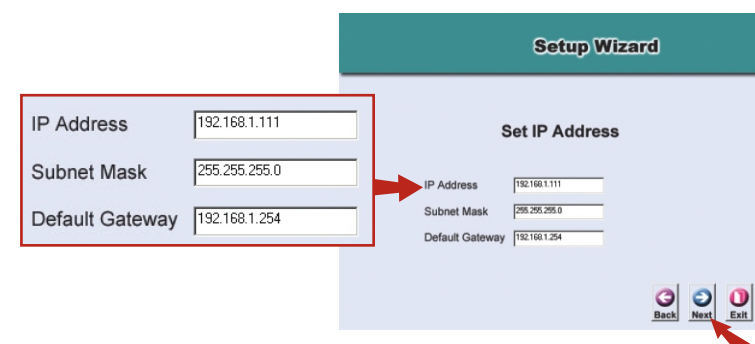
10. Default Admin ID and Password are blank, click **OK** to continue.



13. By default, Admin ID and Password are blank. If you want to change these settings, click the **Change checkbox** and enter the New ID or New Password; click **Next** to continue.



14. If you need to assign the Internet Camera a different IP address, please enter the new IP Address, Subnet Mask, and Default Gateway address here and click **Next**.

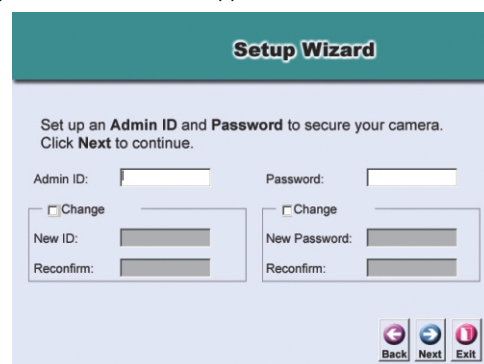


11. Then enter the IP Address, Subnet Mask, and Gateway for the camera to match your existing network and click **OK**.



Note: Please make sure this IP address is not used by any other device in your network.

12. The Setup Wizard window will appear.

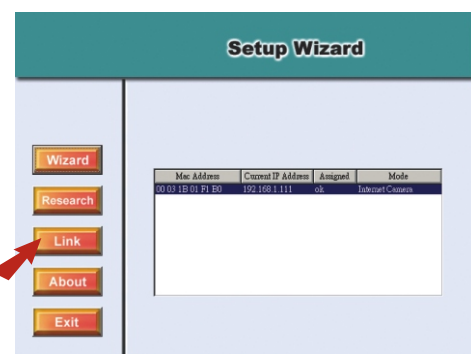


15. The Basic settings for the Internet Camera are now complete. Double check the information; click on the **Restart** button to save your changes and restart the Internet Camera.

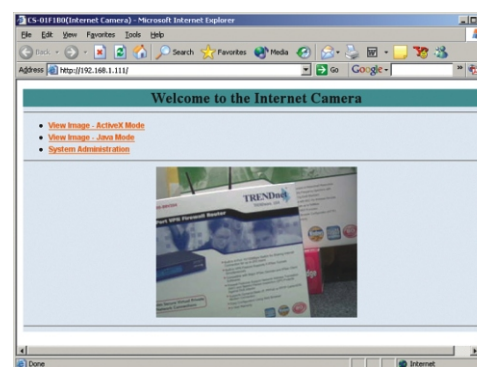


Note: If you need to make other changes, click on the **Back** button to reconfigure.

16. To view live images from the Wireless Internet Camera click on the **Link** button.



17. The Welcome page of the Internet Camera will appear. Now your Internet Camera is connected and working properly with your existing wired network.



You can view live images by selecting ActiveX or Java Mode.

Note: If you fail to access the camera, please go through the Setup Wizard again or go to the Troubleshooting section for more information.

4. Troubleshooting

Q1: The image is blurry, how do I fix this?

A1: You can focus the Internet Camera by turning the lens.

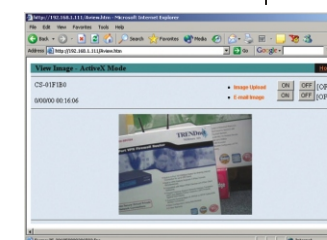
Q2: Can I replace the camera lens?

A2: The Internet Camera has fixed Broad lens, it can not be replaced.

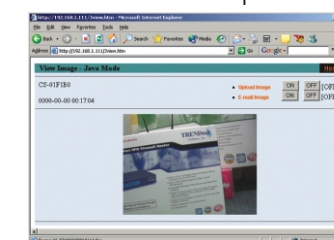
Q3: How do I view the Internet Camera's live image within my Local Network?

A3: Open up a web browser (Internet Explorer or Netscape) and type in your Internet Camera's IP address (for example 192.168.1.111) at the Address bar then press the Enter key. The Welcome page of the Internet Camera will appear, then you can choose to play a live image using ActiveX or Java Mode. Select the mode you want to use, then the live image window will

ActiveX Mode example:



Java Mode example:



Q4: I can't use the ActiveX mode or Java Mode to view the live image, why?

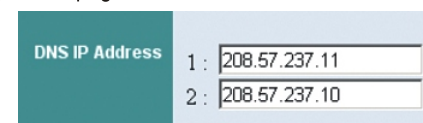
A4: The ActiveX mode or Java Applet might be disabled. Please make sure ActiveX has been enabled or the Java Applet has been enabled in the Internet Option menu.

Q5: How do I view the Internet Camera from an external network.

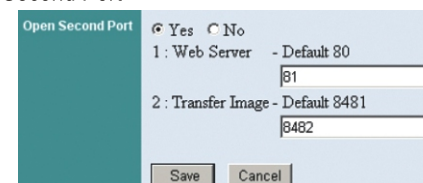
A5: There are few steps you need to do.

Location A with Internet Cameras

a. Enter valid DNS numbers for your Internet Camera from the configuration page



b. Open Second Port



Example:

- Camera 1 (192.168.1.111) uses default port 80 and 8481
- Camera 2 (192.168.1.112) uses port 81 and 8482 (Open Second Port)
- Camera 3 (192.168.1.113) uses port 82 and 8483 (Open Second Port)

c. If your network has a router, go to the router's configuration page and go to Virtual Server (Port Forwarding) section and forward the ports to the camera.

Example:

- Open port 80 --> 192.168.1.111
- Open port 8481 --> 192.168.1.111
- Open port 81 --> 192.168.112
- Open port 8482 --> 192.168.1.112 and so on

Location B

d. Then from location B, you need to use the Internet connection IP address of location A to access your camera. For example, if location A internet connection's IP address is 10.0.0.1, you can open a web browser and enter http://10.0.0.1:80 to view Camera 1, http://10.0.0.1:81 to view Camera 2 and http://10.0.0.1:82 to view live images of Camera 3.

For detail information about TV-IP100's configuration and advanced settings, please find the information from the User's Guide on the CD-ROM or on our website www.trendnet.com for additional information.

Contact Technical Support

Telephone: +1-310-891-1100
 Fax: +1-310-891-1111
 Internet: www.trendnet.com
 E-mail: support@trendware.com

Technical Support Hours:

7:00AM ~ 6:00PM, Monday through Friday,
 Pacific Standard Time (except holidays)