

TU2-ET100

Hi-Speed USB to Fast Ethernet Adapter

User's Guide



Copyright ©2005. All Rights Reserved. TRENDware International, Inc.

FCC Warning

This equipment has been tested and found to comply with the regulations for a Class B digital device, pursuant to Part 15 of the FCC Rules. These limits are designed to provide reasonable protection against harmful interference when the equipment is operated in a commercial environment. This equipment generates, uses, and can radiate radio frequency energy and, if it's not installed and used in accordance with this user's guide, may cause harmful interference to radio communications. Operation of this equipment in a residential area is likely to cause harmful interference, in which case the user will be required to correct the interference at his own expense.

CE Mark Warning

This is a Class B product. In a domestic environment, this product may cause radio interference, in which case the user may be required to take adequate measures.

VCCI Class B Compliance (Japan)

This is a product of VCCI Class B Compliance

この装置は、情報処理装置等電波障害自主規制協議会（VCCI）の基準に基づくクラス B 情報技術装置です。この装置は、家庭環境で使用することを目的としていますが、この装置がラジオやテレビジョン受信機に近接して使用されると、受信障害を引き起こすことがあります。

取扱説明書に従って正しい取り扱いをして下さい。



P/N: 1907SHUN2105001

Table of Contents

INTRODUCTION.....	4
ABOUT THE USB 2.0 TO 10/100MBPS FAST ETHERNET ADAPTER	4
PRODUCT FEATURES	4
INSTALLATION	5
ASPECT DESCRIPTION	5
HARDWARE & SOFTWARE INSTALLATION.....	5
LED INDICATORS	6
USB CONNECTOR PIN ASSIGNMENT	7
SPECIFICATIONS.....	8

INTRODUCTION

Thanks for purchasing of the USB 2.0 to 10/100Mbps Fast Ethernet Adapter. This Adapter will allow your computer to connect to 10Mbps Ethernet or 100Mbps Fast Ethernet Network through USB 2.0 interface.

About the USB 2.0 to 10/100Mbps Fast Ethernet Adapter

The USB 2.0 to 10/100Mbps Fast Ethernet Adapter allows user to connect up to 10Mbps Ethernet or 100Mbps Fast Ethernet Network through their USB 2.0 ready PC.

The USB 2.0 to 10/100Mbps Fast Ethernet Adapter is designed to provide quicker and easier access to a type 'A' plug for connecting to USB 2.0 Hub or the PC's USB 2.0 port, the RJ-45 Ethernet Port for connecting to 10Mbps Ethernet or 100Mbps Fast Ethernet Network.

Product Features

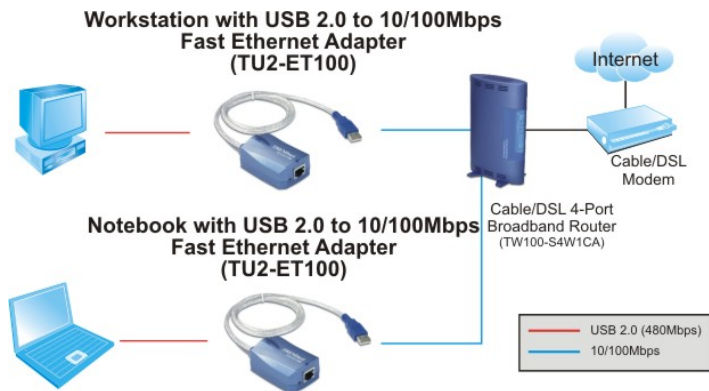
- Compliant with USB specification 1.0, 1.1 and 2.0
- IEEE 802.3 10BASE-T Ethernet, IEEE 802.3u 100BASE-TX specification
- ANSI/IEEE 802.3 Auto-negotiation
- Plug-and-Play
- Supports Bus-power mode. No external power needed.

- One dual color LED indicator for Ethernet port status.

INSTALLATION

The USB 2.0 to 10/100Mbps Fast Ethernet Adapter is designed to be simple and easy install.

Aspect Description



Hardware & Software Installation

Step-1: Make sure the PC is power on and running at Windows Operating System

Step-2: Connect to Adapter to a 10Mbps, 100Mbps or 10/100Mbps Hub/Switch through RJ-45 Ethernet Port.

Step-3: Insert USB A-type plug of the Adapter to PC's USB port.

Step-4: The Windows system will show a “**New Hardware Found**” window. Click “**Next**”

Step-5: Put the USB 2.0 to Ethernet Adapter driver program CD into CD-ROM Driver and select “*Search for the best driver for your device (Recommended)*”. Click “**Next**”

Step-6: The system will ask you to indicate the best driver. Make sure the CD driver is selected and drive **d:** is specified. Click “**Next**” to continue.

Step-7: The system will search the specified driver and start to download the pointed driver. Click “**Next**” to Continue.

Step-8: When the system finish the driver installation, click “**Finish**” button.

Step-9: Then the system will ask you to restart your computer. Click “**Yes**” to restart computer..

LED Indicators

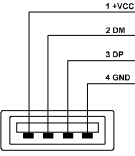

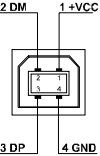

The USB 2.0 to 10/100Mbps Fast Ethernet Adapter is equipped with LED indicator:

LAN Port status LED:

This indicator green when the port is connected to 100Mbps Fast Ethernet Hub, if the Adapter to which the hub is connected is powered off, or if

there is a problem with the link, the LED will remain off. When the indicator blinking green while the data will be received to the 100Mbps Fast Ethernet port. Otherwise, This indicator indicates amber when the port is connected to 10Mbps Ethernet Hub, if the Adapter to which the hub is connected is powered off, or if there is a problem with the link, the LED will remain off. When this indicator blinking amber while the data will be received to the 10Mbps Ethernet port.

USB Connector Pin Assignment

	
<p>Receptacle A</p>	<p>Series-A Plug</p>
	
<p>Receptacle B</p>	<p>Series-B Plug</p>

SPECIFICATIONS

Standards:	USB Specification V.1.0, 1.1, 2.0 IEEE 802.3 Ethernet Specification IEEE 802.3u Fast Ethernet Specification ANSI/IEEE Std 802.3 auto-negotiation
Data Speed:	USB 1.0, 1.1, 2.0: 1.5, 12, 480Mbps, Fast Ethernet: 10/100Mbps
LED indicators:	Green: 100Mbps Fast Ethernet Link/Rx Amber: 10Mbps Ethernet Link/Rx
USB Port:	Series-A Plug x 1
Fast Ethernet Port:	RJ-45 10/100BASE-T port x 1
EMI Compatibility:	FCC Class B, CE Class B, VCCI-II
Dimensions:	65 x 48 x 28 mm
Storage Temperature:	Storage: -25°C ~ 70°C
Operation Temperature:	Operation: 0°C ~ 40°C
Humidity (non-condensing):	Storage: 10% ~ 90% Operation: 10% ~ 70%
Power Consumption:	1.2 Watts (maximum)
Driver Support:	Windows 98/2000/Me/XP

Limited Warranty

TRENDware warrants its products against defects in material and workmanship, under normal use and service, for the following lengths of time from the date of purchase.

TU2-ET100 – 5 Years Warranty

If a product does not operate as warranted above during the applicable warranty period, TRENDware shall, at its option and expense, repair the defective product or part, deliver to customer an equivalent product or part to replace the defective item, or refund to customer the purchase price paid for the defective product. All products that are replaced will become the property of TRENDware. Replacement products may be new or reconditioned.

TRENDware shall not be responsible for any software, firmware, information, or memory data of customer contained in, stored on, or integrated with any products returned to TRENDware pursuant to any warranty.

There are no user serviceable parts inside the product. Do not remove or attempt to service the product by any unauthorized service center. This warranty is voided if (i) the product has been modified or repaired by any unauthorized service center, (ii) the product was subject to accident, abuse, or improper use (iii) the product was subject to conditions more severe than those specified in the manual.

Warranty service may be obtained by contacting TRENDware office within the applicable warranty period for a Return Material Authorization (RMA) number, accompanied by a copy of the dated proof of the purchase. Products returned to TRENDware must be pre-authorized by TRENDware with RMA number marked on the outside of the package, and sent prepaid, insured and packaged appropriately for safe shipment.

WARRANTIES EXCLUSIVE: IF THE TRENDWARE PRODUCT DOES NOT OPERATE AS WARRANTED ABOVE, THE CUSTOMER'S SOLE REMEDY SHALL BE, AT TRENDWARE'S OPTION, REPAIR OR REPLACEMENT. THE FOREGOING WARRANTIES AND REMEDIES ARE EXCLUSIVE AND ARE IN LIEU OF ALL OTHER WARRANTIES, EXPRESSED OR IMPLIED, EITHER IN FACT OR BY OPERATION OF LAW, STATUTORY OR OTHERWISE, INCLUDING WARRANTIES OF MERCHANTABILITY AND FITNESS FOR A PARTICULAR PURPOSE. TRENDWARE NEITHER ASSUMES NOR AUTHORIZES ANY OTHER PERSON TO ASSUME FOR IT ANY OTHER LIABILITY IN CONNECTION WITH THE SALE, INSTALLATION MAINTENANCE OR USE OF TRENDWARE'S PRODUCTS.

TRENDWARE SHALL NOT BE LIABLE UNDER THIS WARRANTY IF ITS TESTING AND EXAMINATION DISCLOSE THAT THE ALLEGED DEFECT IN THE PRODUCT DOES NOT EXIST OR WAS CAUSED BY CUSTOMER'S OR ANY THIRD PERSON'S MISUSE, NEGLIGENCE, IMPROPER INSTALLATION OR TESTING, UNAUTHORIZED ATTEMPTS TO REPAIR OR MODIFY, OR ANY OTHER CAUSE BEYOND THE RANGE OF THE INTENDED USE, OR BY ACCIDENT, FIRE, LIGHTNING, OR OTHER HAZARD.

LIMITATION OF LIABILITY: TO THE FULL EXTENT ALLOWED BY LAW TRENDWARE ALSO EXCLUDES FOR ITSELF AND ITS SUPPLIERS ANY LIABILITY, WHETHER BASED IN CONTRACT OR TORT (INCLUDING NEGLIGENCE), FOR INCIDENTAL, CONSEQUENTIAL, INDIRECT, SPECIAL, OR PUNITIVE DAMAGES OF ANY KIND, OR FOR LOSS

OF REVENUE OR PROFITS, LOSS OF BUSINESS, LOSS OF INFORMATION OR DATA, OR OTHER FINANCIAL LOSS ARISING OUT OF OR IN CONNECTION WITH THE SALE, INSTALLATION, MAINTENANCE, USE, PERFORMANCE, FAILURE, OR INTERRUPTION OF THE POSSIBILITY OF SUCH DAMAGES, AND LIMITS ITS LIABILITY TO REPAIR, REPLACEMENT, OR REFUND OF THE PURCHASE PRICE PAID, AT TRENDWARE'S OPTION. THIS DISCLAIMER OF LIABILITY FOR DAMAGES WILL NOT BE AFFECTED IF ANY REMEDY PROVIDED HEREIN SHALL FAIL OF ITS ESSENTIAL PURPOSE.

Governing Law: This Limited Warranty shall be governed by the laws of the state of California.

Technical Support

You can find the most recent driver/firmware/software and user documentations on the **TRENDware website**. **TRENDware** provides **FREE technical support** for all customers for the duration of the warranty period on this product.

TRENDware Technical Support

Tel: +1-310-626-6252

Fax: +1-310-626-6267

E-mail: support@trendware.com

www.TRENDnet.com

Monday ~ Friday, 7:30AM ~ 6:00PM

Pacific Standard Time

(Except holidays)



Product Warranty Registration

Please take a moment to register your product online.
Go to TRENDware's website at <http://www.TRENDNET.com>

TRENDware International, Inc.
3135 Kashiwa Street
Torrance, CA 90505

<http://www.TRENDNET.com>

Copyright ©2004. All Rights Reserved. TRENDware International, Inc.