

TRENDnet[®]



Quick Installation Guide

PoE Web Smart Switch Series

Table of Contents

1 Português

1. Antes de Iniciar
2. Referência Rápida
3. Instalação de Hardware e Configuração

1. Antes de Iniciar

Conteúdo da Embalagem

- Guia de Instalação Rápida
- Cabo de alimentação (1,8 m / 6 pés)
- Kit para Montagem em Rack

Requisitos de Sistema

- Um computador com uma porta Ethernet e navegador da Web
- Rede cabeada

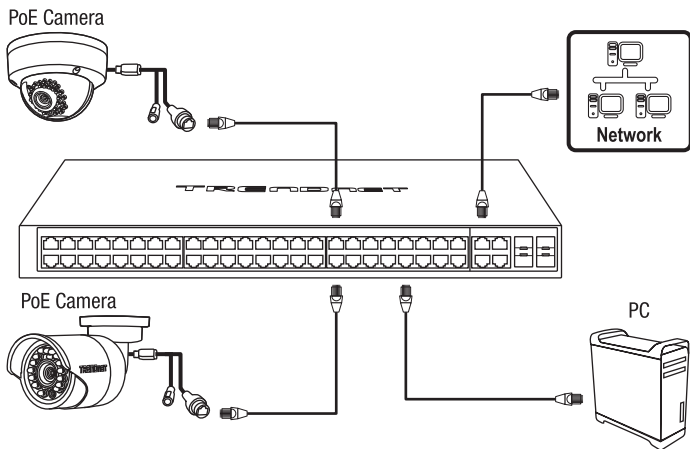
Equipamento Opcional

- Rack 19" Padrão EIA
- Módulos SFP Opcionais (exemplo: TE100-MGBFX, TEG-MGBSX, TEG-MGBS10, TEG-MGBS40, TEG-MGBS80, TEG-MGBS10D3, TEG-MGBS10D5, TEG-MGBS40D3, TEG-MGBS40D5)

Max Power over Ethernet Budget

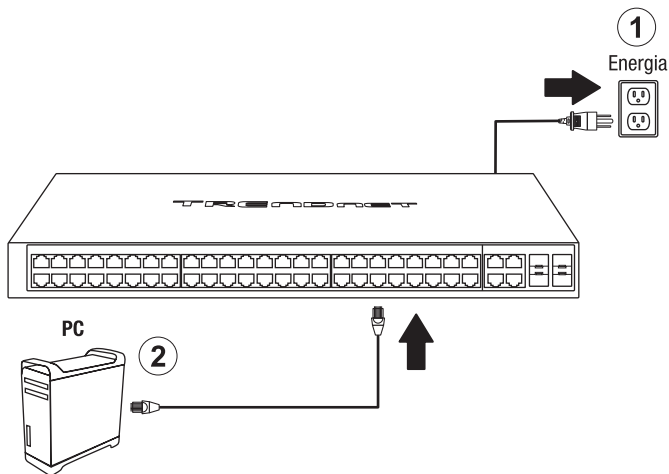
TPE-1620WS PoE Power Budget: 185W	TPE-5240WS PoE Power Budget: 370W	TPE-1620WSF PoE Power Budget: 370W
TPE-5048WS PoE Power Budget: 740W	TPE-2840WS PoE Power Budget: 185W	TPE-30284 PoE Power budget: 370W
TPE-5028WS PoE Power Budget: 370W	TPE-204US PoE Power budget: 370W	TPE-1021WS PoE Power budget: 130W

2. Referência Rápida

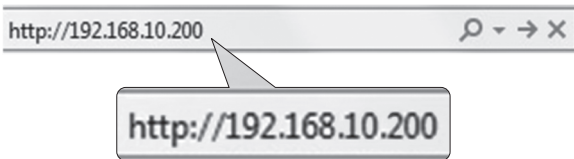


Nota: O modelo de switch pode ser diferente do exemplo mostrado abaixo.

3. Instalação de Hardware e Configuração



3. Colocar um endereço IP estático, na placa de rede do seu computador, na gama de Ips 192.168.10.x (por exemplo: 192.168.10.25) e colocar no campo da subnet mask 255.255.255.0.
4. Abra seu web browser, digite endereço IP do switch na barra de endereços e então pressione **Enter**. O endereço IP padrão é 192.168.10.200.



5. Entre com o **User Name** (Nome de Usuário) e **Password** (Senha) e então clique **LOGIN**.
Por padrão:

User Name(Nome de Usuário): **admin**

Password (Senha): **admin**

Nota: User Name (Nome do usuário) e Password (senha) são sensíveis a maiúsculas e minúsculas.

The image shows a login form with three input fields. The first field is labeled 'Username' and has a callout box containing the text 'admin'. The second field is labeled 'Password' and has a callout box containing the text 'admin'. Below the password field is a 'Login' button with a callout box containing the text 'Login'.

6. Clique em **Sistema**, depois em **Recurso L3** e em seguida em **Interface IPv4**.
7. Clique em **Editar** para entrar na página de configuração da interface IPv4 e defina as configurações abaixo para corresponder aos requisitos de sua rede. Em seguida, clique em **Aplicar**.

The image shows the 'IPv4 Interface Configuration' page. On the left is a navigation menu with callouts for 'System', 'L3 Feature', and 'IPv4 Interface'. The main content area shows the configuration for the 'vian1' interface. The 'Status Settings' section has 'Interface' set to 'vian1' and 'State' set to 'Enabled'. The 'IP Settings' section has 'Get IP Form' set to 'Static', 'IP Address' set to '192.168.10.200', and 'Subnet Mask' set to '255.255.255.0'. There are 'Apply' buttons for both sections. A large callout box labeled 'Apply' points to the bottom 'Apply' button.

8. Clicar em **OK**.

Please confirm



The management session will be disconnected. Use new IP address to connect to device.

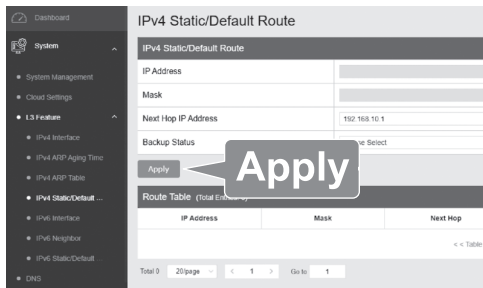
Cancel

OK


OK

9. Faça login com o novo endereço IP. Clique em **Sistema**, depois em **Recurso L3** e em **IPv4 Estático/Rota Padrão**.

10. Configure o IP do Gateway Padrão em **Endereço IP do Próximo Salto** e selecione **Primário** no menu suspenso em **Status do Backup**.



11. Clique em **Aplicar** e seu gateway deve aparecer na tabela abaixo.

12. Clique no **Ícone Salvar**  no canto superior direito da GUI para salvar suas configurações na Flash.

Nota:

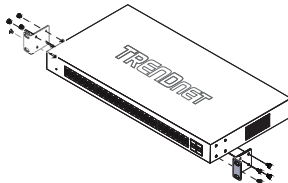
1. Se você quiser descobrir facilmente todos os switches gerenciáveis da rede local, definir endereço IP, alterar senha, fazer upgrade para novo firmware, então instale o Utilitário de Gerenciamento de switches gerenciáveis via web. Siga os passos constantes do guia do usuário.
2. Para fazer o download da versão mais recente do guia do usuário, acesse: <http://www.trendnet.com/support> e selecione o **Switch Model** na lista suspensa Download do Produto.

UL Warning

- 1) Elevated Operating Ambient Temperature - If installed in a closed or multi-unit rack assembly, the operating ambient temperature of the rack environment may be greater than room ambient. Therefore, consideration should be given to installing the equipment in an environment compatible with the manufacturer's maximum rated ambient temperature (T_{ma}).
- 2) Reduced Air Flow - Installation of the equipment in a rack should be such that the amount of air flow required for safe operation of the equipment is not compromised.
- 3) Mechanical Loading - Mounting of the equipment in the rack should be such that a hazardous condition is not achieved due to uneven mechanical loading.
- 4) Circuit Overloading - Consideration should be given to the connection of the equipment to the supply circuit and the effect that overloading of circuits might have on over current protection and supply wiring. Appropriate consideration of equipment nameplate ratings should be used when addressing this concern.
- 5) Reliable Earthing - Reliable earthing of rack-mounted equipment should be maintained. Particular attention should be given to supply connections other than direct connections to the branch circuit (e.g., use of power strips).

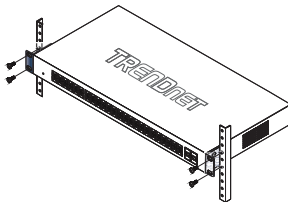
Rack Installation

The Switch can be mounted in an EIA standard, 19-inch rack, which can be placed in a wiring closet with other equipment. To install, attach the mounting brackets to the switch's front panel (one on each side) and secure them with the screws provided.



Attaching the mounting brackets to the Switch

Use the screws provided with the equipment rack to mount the Switch on the rack.



Installing the Switch in an equipment rack

TRENDNET[®]

Certifications

This device complies with Part 15 of the FCC Rules.

Operation is subject to the following two conditions:

- (1) This device may not cause harmful interference.
- (2) This device must accept any interference received.

Including interference that may cause undesired operation.



Waste electrical and electronic products must not be disposed of with household waste. Please recycle where facilities exist. Check with your Local Authority or Retailer for recycling advice.

FCC warning:

This equipment has been tested and found to comply with the limits for a Class A digital device, pursuant to part 15 of the FCC Rules. These limits are designed to provide reasonable protection against harmful interference when the equipment is operated in a commercial environment. This equipment generates, uses, and can radiate radio frequency energy and, if not installed and used in accordance with the instruction manual, may cause harmful interference to radio communications. Operation of this equipment in a residential area is likely to cause harmful interference in which case the user will be required to correct the interference at his own expense.

FCC Caution:

Any changes or modification not expressly approved by the party responsible for compliance could void the user's authority to operate this equipment.

CAUTION: Double pole, neutral fusing. Disconnect mains before servicing.

ATTENTION: Double pôle/fusible sur le neutre.

Technical Support

If you have any questions regarding the product installation, please contact our Technical Support. Toll free US/Canada: **1-855-373-4741**
Regional phone numbers available at www.trendnet.com/support

TRENDnet

20675 Manhattan Place
Torrance, CA 90501
USA

Applies to PoE Products Only: This product is to be connected only to PoE networks without routing to the outside plant.

Note

The Manufacturer is not responsible for any radio or TV interference caused by unauthorized modifications to this equipment. Such modifications could void the user's authority to operate the equipment.

Avertissement

S'applique uniquement aux produits PoE: Ce produit doit être raccordé qu'aux réseaux PoE sans routage vers l'installation extérieure.

Advertencia

En todos nuestros equipos se mencionan claramente las características del adaptador de alimentación necesario para su funcionamiento. El uso de un adaptador distinto al mencionado puede producir daños físicos y/o daños al equipo conectado. El adaptador de alimentación debe operar con voltaje y frecuencia de la energía eléctrica domiciliaria existente en el país o zona de instalación.

UL warning:

The equipment power supply cord shall be connected to a socket-outlet with earthing connection.
Le cordon d'alimentation de l'appareil doit être raccordé à une prise de courant avec mise à la terre.

Fiber product warning note:

If the Optical Transceiver doesn't ship with the unit, the user manual shall have the description as below or equivalent: "This product is intended to be use with a UL Listed Optical Transceiver product, Rated DC3.3V, Laser Class I."

Laser warning note:

This product is intended to be use with a UL Listed Optical Transceiver product, Rated DC3.3V, Laser Class I.

Product Warranty Registration

Please take a moment to register your product online. Go to TRENDnet's website at: www.trendnet.com/register