

TRENDnet[®]



Quick Installation Guide

TPE-204US (V1)

Table of Contents

1 English

1. Before You Start
2. Quick Reference
3. Hardware Installation and Configuration

5 Français

1. Avant de commencer
2. Références rapides
3. Installation et configuration du matériel

9 Deutsch

1. Bevor Sie anfangen
2. Schnellübersicht
3. Hardware-Installation und Konfiguration

13 Español

1. Antes de comenzar
2. Referencia rápida
3. Instalación y configuración del Hardware

17 Português

1. Antes de Iniciar
2. Referência Rápida
3. Instalação de Hardware e Configuração

21 Italiano

1. Prima di cominciare
2. Riferimento rapido
3. Installazione e configurazione Hardware

25 Русский

1. Перед началом работы
2. Краткий справочник
3. Установка и настройка оборудования

1. Before You Start

Package Contents

- TPE-204US
- Quick Installation Guide
- Power cord (1.8m / 6 ft.)
- Rackmount kit

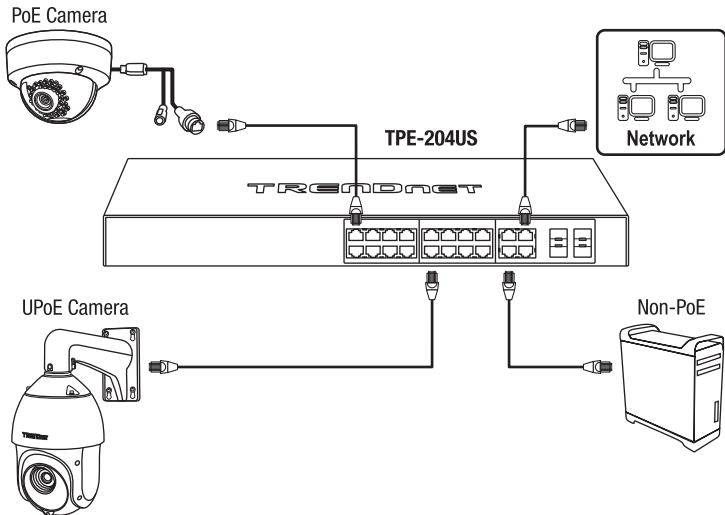
Minimum Requirements

- Computer with an Ethernet port and web browser
- Network cable

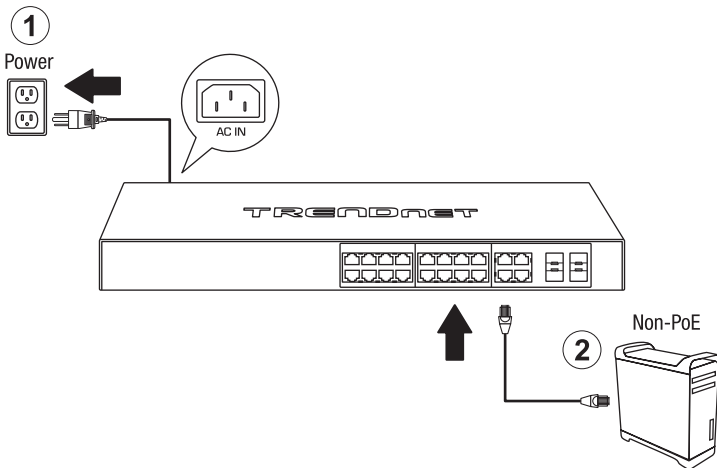
Optional Equipment

- EIA standard 19" rack
- SFP modules (e.g. TE100-MGBFX, TEG-MGBSX, TEG-MGBS10, TEG-MGBS40, TEG-MGBS80, TEG-MGBS10D3, TEG-MGBS10D5, TEG-MGBS40D3, TEG-MGBS40D5)

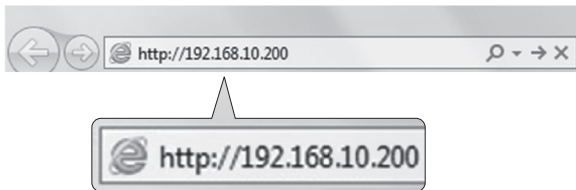
2. Quick Reference



3. Hardware Installation and Configuration



3. Assign a Static IP address to your computer's network adapter in the subnet of 192.168.10.x (e.g. 192.168.10.25) and a subnet mask of 255.255.255.0.
4. Open your web browser, type the IP address of the switch in the address bar, and then press **Enter**. The default IP address is 192.168.10.200.



5. Enter the **User name** and **Password**, and then click **LOGIN**. By default:

User Name: **admin**

Password: **admin**

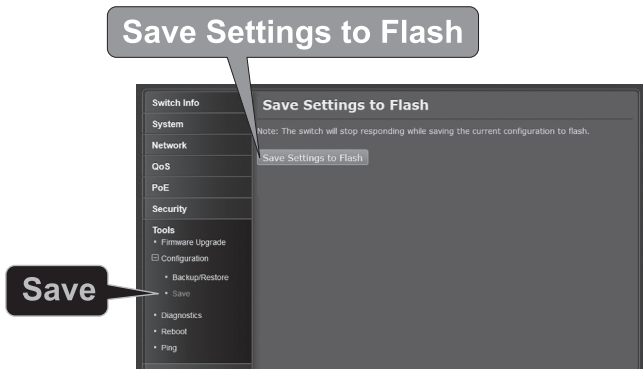
Note: User Name and Password are case sensitive.

6. Click **System** and then click **IPv4 Interface**.

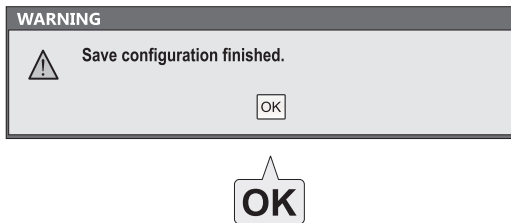
7. Click **Edit** in the vlan1 interface to configure the switch to match the requirements of your network. Then click **Apply**.

8. Click **OK**.

9. In the left hand panel, click **Tools**, click on **Configuration**, and click **Save**.



10. Click **OK**.



Note:

1. If you would like to easily discover all the Web Management Switches on the network, assign IP address, change password, then install the Web Smart Switch Management Utility. Follow the steps provided on the user's guide.
2. To download the latest version of the user's guide and the utility, please go to <http://www.trendnet.com/support> and select the **TPE-204US** from the products drop down list.

1. Avant de commencer

Contenu de l'emballage

- TPE-204US
- Guide d'installation rapide
- Cordon d'alimentation (1.8m / 6 pieds)
- Kit de montage

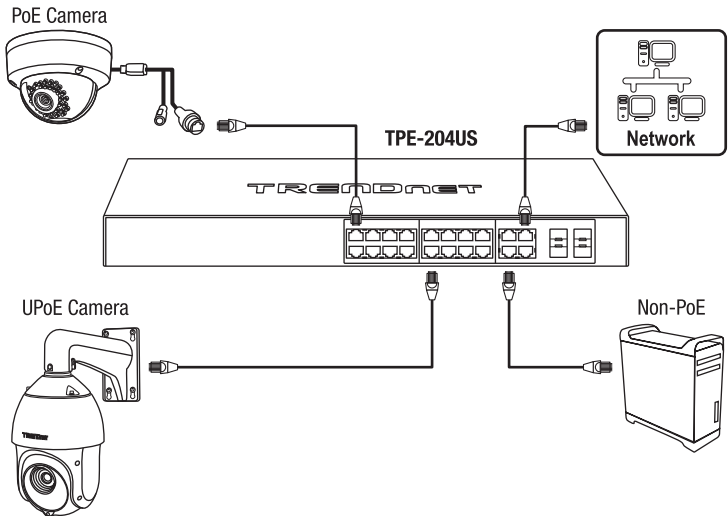
Préalables à l'installation

- Un ordinateur avec un port Ethernet et le navigateur Web
- Câble réseau

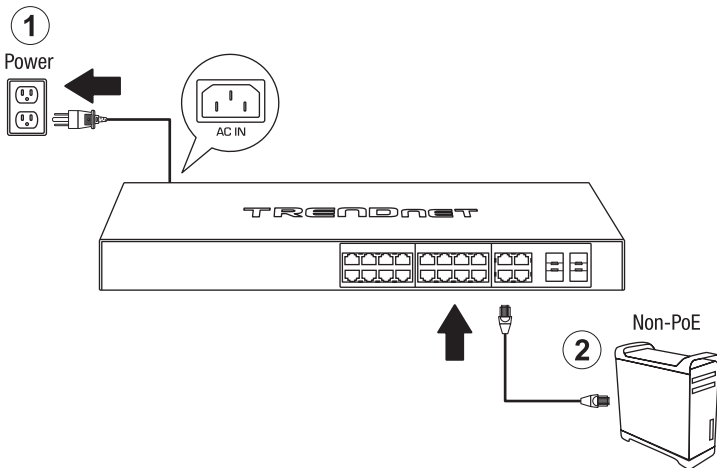
Équipement optionnel

- Un rack standard 19 pouces
- Module SFP (par ex. TE100-MGBFX, TEG-MGBSX, TEG-MGBS10, TEG-MGBS40, TEG-MGBS80, TEG-MGBS10D3, TEG-MGBS10D5, TEG-MGBS40D3, TEG-MGBS40D5)

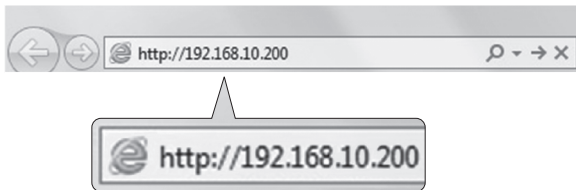
2. Références rapides



3. Installation et configuration du matériel



3. Assignez une adresse IP statique à l'adaptateur réseau de votre ordinateur dans le sous-réseau de 192.168.10.x (p. ex. 192.168.10.25) et un masque sous réseau de 255.255.255.0.
4. Ouvrez votre navigateur, entrez l'adresse IP du switch dans la barre d'adresse et appuyez sur **Enter** (Entrée). L'adresse IP par défaut est 192.168.10.200.



5. Saisissez le **User Name** (nom d'utilisateur) et le **Password** (mot de passe), ensuite cliquez sur **LOGIN**. Par défaut:

User Name (Nom d'utilisateur): **admin**

Password (Mot de passe): **admin**

Remarque: Le nom d'utilisateur et le mot de passé sont sensibles à la case.

admin

User Name: admin

admin

Password:

LOGIN

6. Cliquez sur **System** (Système) et ensuite sur **IPv4 Interface** (Interface Ipv4)
7. Cliquez sur **Edit** (Modifier) dans l'interface vlan1 pour configurer le switch afin qu'il réponde aux exigences de votre réseau. Cliquez ensuite sur **Apply** (Appliquer).

System

IPv4 Interface

Switch Info

- System
 - System Management
- L3 Feature
 - ARP Aging Time
 - Static ARP/Table View
 - IPv4 Interface
 - IPv4 Static/Default Route
 - IPv6 Interface
 - IPv6 Neighbor
 - IPv6 Static/Default Route
- DNS
- IP Access List
- Administration
- Timeout

IPv4 Interface Configuration

Status Settings

Interface: vlan1

State: Enabled

Apply

IP Settings

Get IP Form: Static

IP Address: 192 . 168 . 10 . 200

Subnet Mask: 255 . 255 . 255 . 0

Apply

Apply

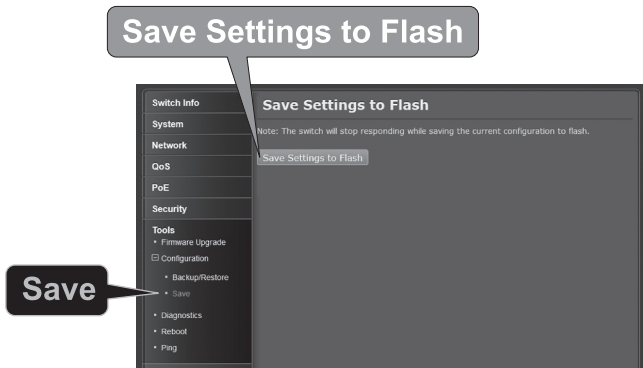
8. Cliquez sur **OK**.

WARNING

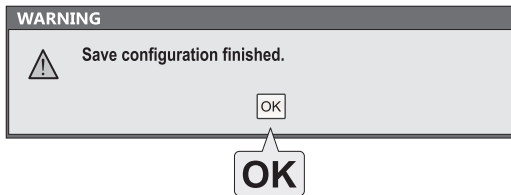
The management session will be disconnected. Use new IP address to connect to device.

OK OK Cancel

9. Dans le panneau de gauche, cliquez sur **Tools** (Outils), sur **Configuration** et enfin sur **Save** (Enregistrer).



10. Cliquez sur **OK**.



Remarque:

1. Si vous désirez découvrir aisément tous les Switches de gestion Internet du réseau, assignez une adresse IP, modifiez le mot de passe et effectuez la mise à jour du firmware. Ensuite installez l'utilitaire de gestion Internet. Suivez les étapes ci-dessous.
2. Pour télécharger la dernière version du guide de l'utilisateur, veuillez aller à <http://www.trendnet.com/support> et choisissez le **TPE-204US** dans le Téléchargement de Produits liste déroulante.

1. Bevor Sie anfangen

Packungsinhalt

- TPE-204US
- Anleitung zur Schnellinstallation
- Stromkabel (1,8 m / 6 Fuß)
- Montagesatz für Gestell

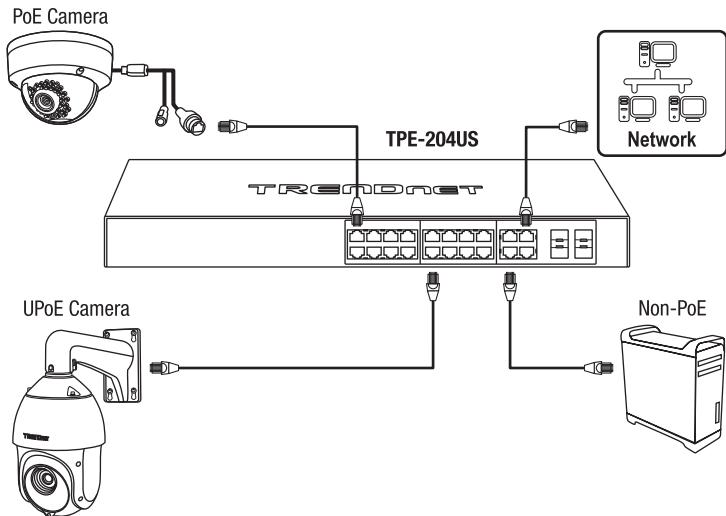
Installationsanforderungen

- Einen Computer mit einem Ethernet-Anschluss und Web-Browser
- Netzwerkkabel

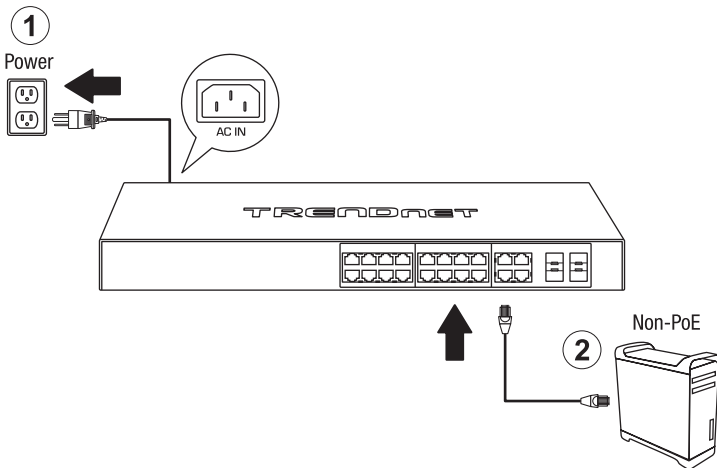
Optionale Geräte

- Standardmäßiges 19"-Gestell
- SFP -Modul (z.B. TE100-MGBFX, TEG-MGBSX, TEG-MGBS10, TEG-MGBS40, TEG-MGBS80, TEG-MGBS10D3, TEG-MGBS10D5, TEG-MGBS40D3, TEG-MGBS40D5)

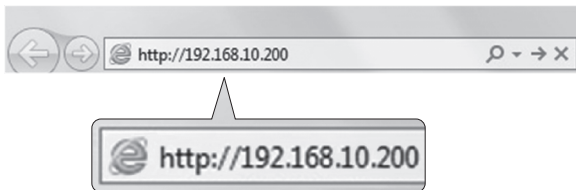
2. Schnellübersicht



3. Installation der Hardware und Konfiguration



3. Weisen Sie dem Netzwerkadapter Ihres Computers eine statische IP-Adresse im Subnetz 192.168.10.x (z.B. 192.168.10.25) und die Subnetzmaske 255.255.255.0 zu.
4. Öffnen Sie Ihren Webbrowser, geben Sie die IP-Adresse des Switch in die Adressleiste ein und drücken Sie auf die **Enter (Eingabetaste)**. Die Standard-IP-Adresse lautet 192.168.10.200.



5. Geben Sie **User name** (Benutzername) und **Password** (Kennwort) ein und klicken sie auf **LOGIN**. Standardeinstellung:

User name (Benutzername): **admin**

Password (Kennwort): **admin**

Hinweis: Achten Sie auf Groß- und Kleinschreibung.

admin

User Name: admin

admin

Password:

LOGIN

6. Klicken Sie auf "**System**" und danach auf "**IPv4 Interface**".

7. Klicken Sie im VLAN1-Interface auf **Edit** (Bearbeiten), um den Switch gemäß den Anforderungen Ihres Netzwerks zu konfigurieren. Klicken Sie dann auf **Apply** (Übernehmen).

System

IPv4 Interface

System Info

System

- System Management
- L3 Feature
 - ARP Aging Time
 - Static ARP/Table View
 - IPv4 Interface
 - IPv4 Static/Default Route
 - IPv6 Interface
 - IPv6 Neighbor
 - IPv6 Static/Default Route
- DNS
- IP Access List
- Administration
- Timeout

IPv4 Interface Configuration

Status Settings

Interface: vlan1

State: Enabled

Apply

IP Settings

Get IP Form: Static

IP Address: 192 . 168 . 10 . 200

Subnet Mask: 255 . 255 . 255 . 0

Apply

Apply

8. Klicken Sie auf **OK**.

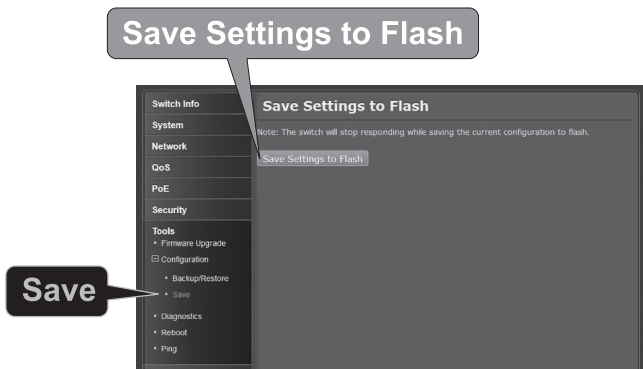
WARNING

The management session will be disconnected. Use new IP address to connect to device.

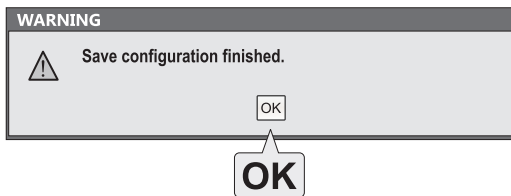
OK

OK Cancel

9. Klicken Sie links auf **Tools**, klicken Sie danach auf **Configuration** (Konfiguration) und klicken Sie dann auf **Save** (Speichern).



10. Klicken Sie auf **OK**.



Hinweis:

1. Installieren Sie das Webmanagement-Programm, wenn Sie problemlos alle webbasierten Switches Ihres Netzwerks auffinden, IP-Adressen zuweisen, Kennwörter ändern und die Firmware aktualisieren wollen. Gehen Sie dazu entsprechend den folgenden Schritten vor.
2. Um die späteste Version des Führers des Benutzers herunterzuladen, zu bitte gehen <http://www.trendnet.com/support> und wählen das **TPE-204US** innerhalb des Produkt-Downloads vor Drop-Down-Liste.

1. Antes de iniciar

Contenidos del paquete

- TPE-204US
- Guía de instalación rápida
- Cable corriente (1.8 m / 6 pies)
- Kit para montaje al estante

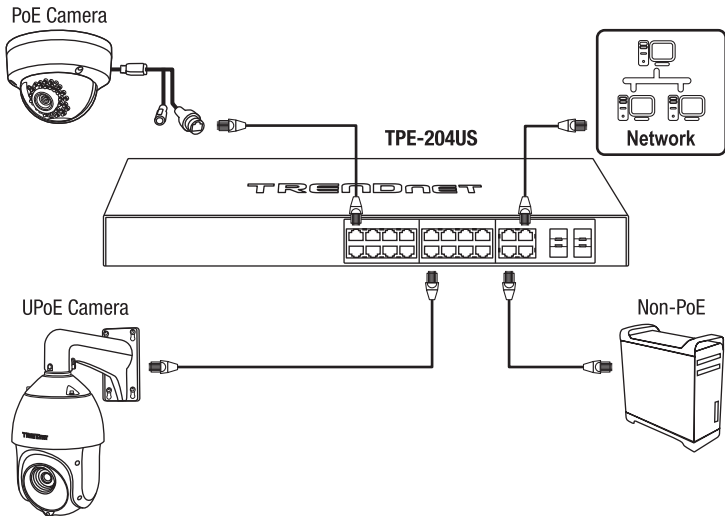
Requerimientos Mínimos

- Un computador con un puerto Ethernet y un navegador Web
- Cable de red

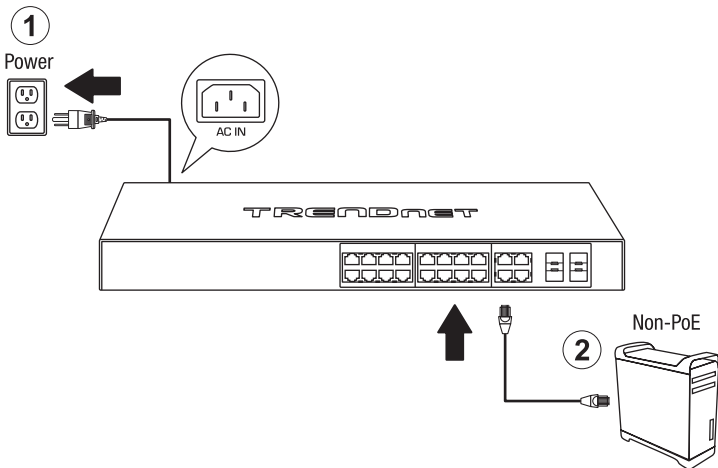
Equipo Opcional

- Rack estándar de 19"
- Módulo SFP (Ej. TE100-MGBFX, TEG-MGBSX, TEG-MGBS10, TEG-MGBS40, TEG-MGBS80, TEG-MGBS10D3, TEG-MGBS10D5, TEG-MGBS40D3, TEG-MGBS40D5)

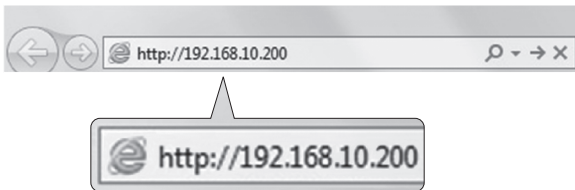
2. Referencia rápida



3. Instalación y configuración del Hardware



3. Asigne una dirección IP estática al adaptador de red de su computador en la máscara de subred de 192.168.10.x (e.j. 192.168.10.25) y máscara de subred de 255.255.255.0.
4. Abra su navegador Web, escriba la dirección IP del switch en la barra de dirección, y luego pulse **Enter** (Intro). La dirección IP por defecto es 192.168.10.200.



5. Introduzca el **User name** (Nombre de Usuario) y **Password** (contraseña), y después pulse **LOGIN**. Por defecto:

User Nam (Nombre de Usuario): **admin**

Password (Contraseña): **admin**

Nota: El nombre de usuario y la contraseña distinguen entre mayúsculas y minúsculas.

admin

admin

LOGIN

6. Haga clic en **System** (sistema) y después en la **IPv4 Interface** (Interfaz Ipv4).

7. Haga clic en **Edit** (Editar) en la interfaz vlan1 para configurar el switch de modo que coincida con los requisitos de la red. Seguidamente, haga clic en **Apply** (aplicar).

System

IPv4 Interface

Switch Info

System

- System Management
- L3 Feature
 - ARP Aging Time
 - Static ARP/Table View
 - IPv4 Interface
 - IPv4 Static/Default Route
 - IPv6 Interface
 - IPv6 Neighbor
 - IPv6 Static/Default Route
- DNS
- IP Access List
- Administration
- Timeout

IPv4 Interface Configuration

Status Settings

Interface: vlan1

State: Enabled

Apply

IP Settings

Get IP Form: Static

IP Address: 192 . 168 . 10 . 200

Subnet Mask: 255 . 255 . 255 . 0

Apply

Apply

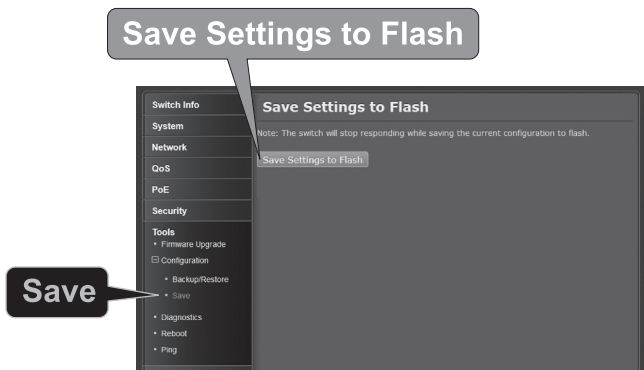
8. Haga clic en **OK**.

WARNING

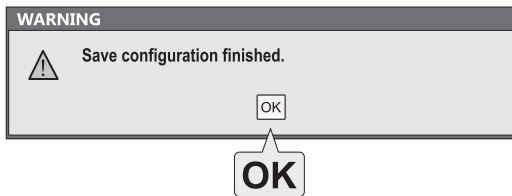
The management session will be disconnected. Use new IP address to connect to device.

OK OK Cancel

9. En el panel de la izquierda, haga clic en **Tools** (herramientas), después en **Configuration** (configuración) y por último en **Save** (guardar).



10. Haga clic en **OK**.



Nota:

1. Si desea encontrar con facilidad todos los conmutadores de gestión Web en la red asigne una dirección IP, cambie la contraseña, actualice la nueva versión del firmware, y después instale la herramienta de gestión Web. Siga los siguientes pasos.
2. Para descargar la última versión de la guía del usuario, por favor visite <http://www.trendnet.com/support> y seleccione el **TPE-204US** de la lista titulada Product Downloads (descarga de productos).

1. Antes de Iniciar

Conteúdo da Embalagem

- TPE-204US
- Guia de Instalação Rápida
- Cabo de alimentação (1,8 m / 6 pés)
- Kit para Montagem em Rack

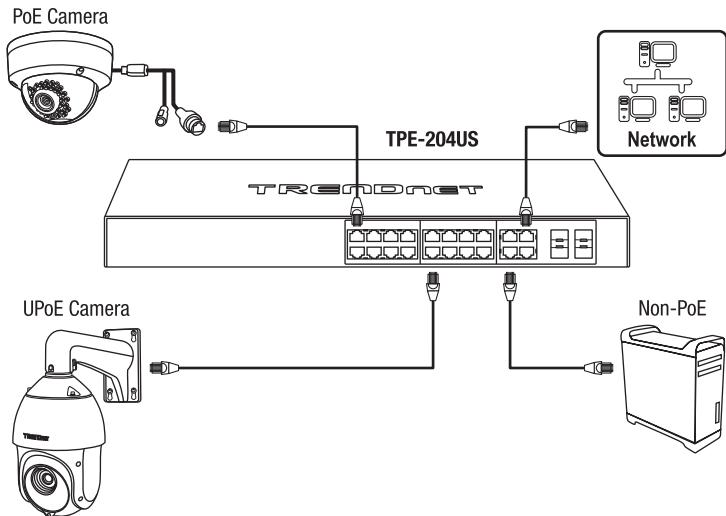
Requisitos de Sistema

- Um computador com uma porta Ethernet e navegador da Web
- Rede cabeada

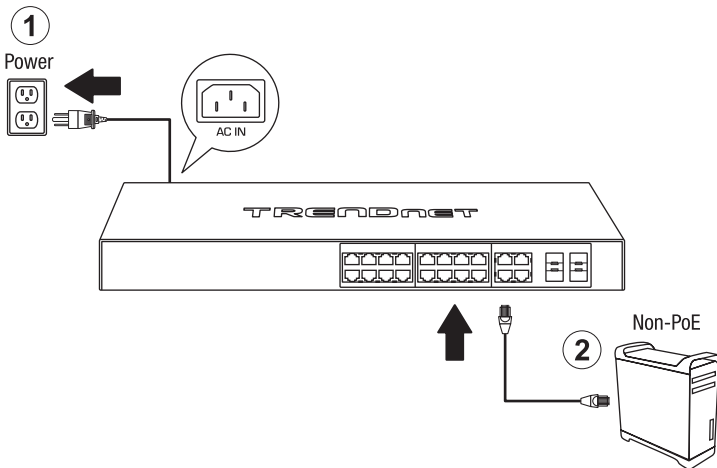
Equipamento Opcional

- Rack 19" Padrão EIA
- Módulos SFP Opcionais (exemplo: TE100-MGBFX, TEG-MGBSX, TEG-MGBS10, TEG-MGBS40, TEG-MGBS80, TEG-MGBS10D3, TEG-MGBS10D5, TEG-MGBS40D3, TEG-MGBS40D5)

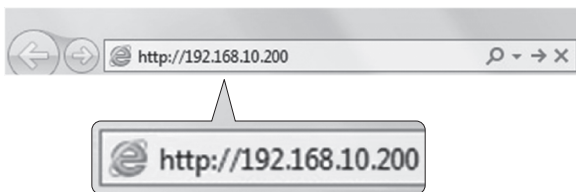
2. Referência Rápida



3. Instalação de Hardware e Configuração



3. Colocar um endereço IP estático, na placa de rede do seu computador, na gama de Ips 192.168.10.x (por exemplo: 192.168.10.25) e colocar no campo da subnet mask 255.255.255.0.
4. Abra seu web browser, digite endereço IP do switch na barra de endereços e então pressione **Enter**. O endereço IP padrão é 192.168.10.200.



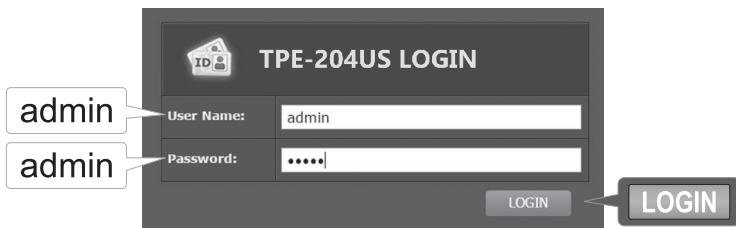
5. Entre com o **User Name** (Nome de Usuário) e **Password** (Senha) e então clique **LOGIN**.

Por padrão:

User Name(Nome de Usuário): **admin**

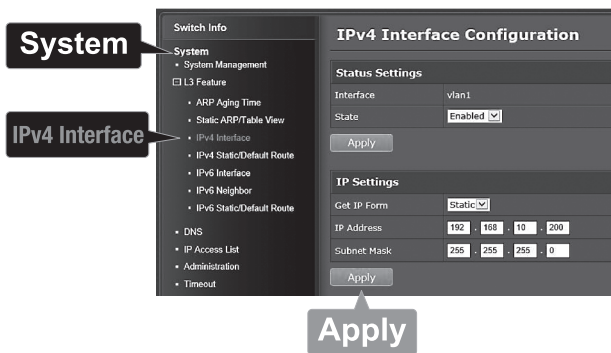
Password (Senha): **admin**

Nota: User Name (Nome do usuário) e Password (senha) são sensíveis a maiúsculas e minúsculas.

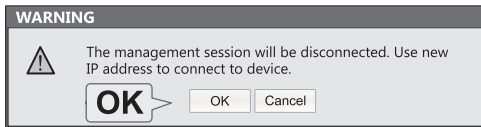


6. Clique em **System** (Sistema) e, em seguida, clique em **IPv4 Interface** (Interface IPv4).

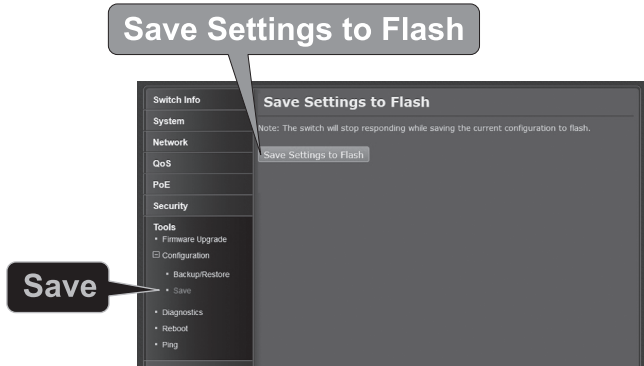
7. Clique em **Edit** (Editar) na interface vlan1 para configurar o switch para atender aos requisitos da sua rede. Em seguida, clique em **Apply** (Aplicar).



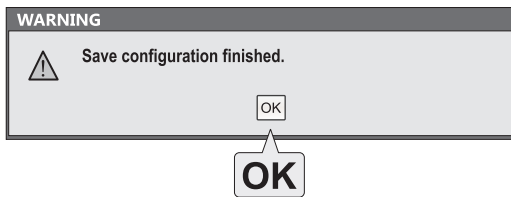
8. Clicar em **OK**.



9. No painel do lado esquerdo, clique em **Tools** (Ferramentas), clique em **Configuration** (Configuração) e clique em **Save** (Salvar).



10. Clicar em **OK**.



Nota:

1. Se você quiser descobrir facilmente todos os switches gerenciáveis da rede local, definir endereço IP, alterar senha, fazer upgrade para novo firmware, então instale o Utilitário de Gerenciamento de switches gerenciáveis via web. Siga os passos constantes do guia do usuário.
2. Para transferir a versão a mais atrasada do guia e do usuário, ir por favor a <http://www.trendnet.com/support> e seleciona o **TPE-204US** dentro da Transferência dos Produtos lista dropdown.

1. Prima di cominciare

Contenuto della Confezione

- TPE-204US
- Guida di Installazione Rapida
- Cavo di alimentazione (1,8 m / 6 piedi)
- Minuterie per montaggio a rack

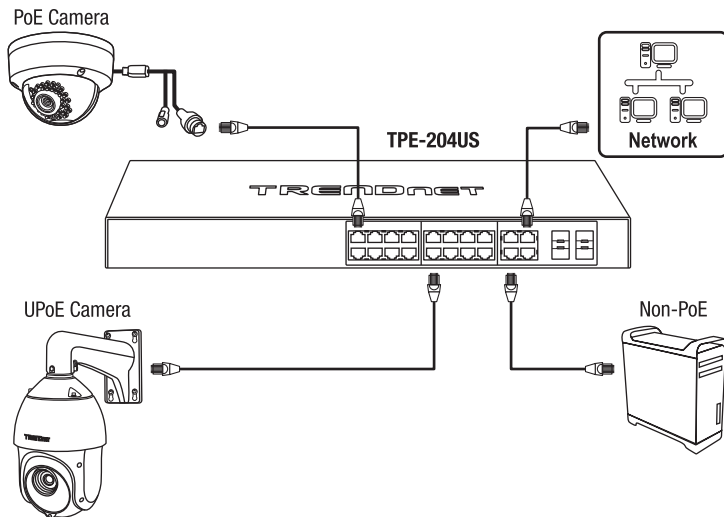
Requisiti minimi

- Computer con porta Ethernet e Web browser
- Cavo di rete

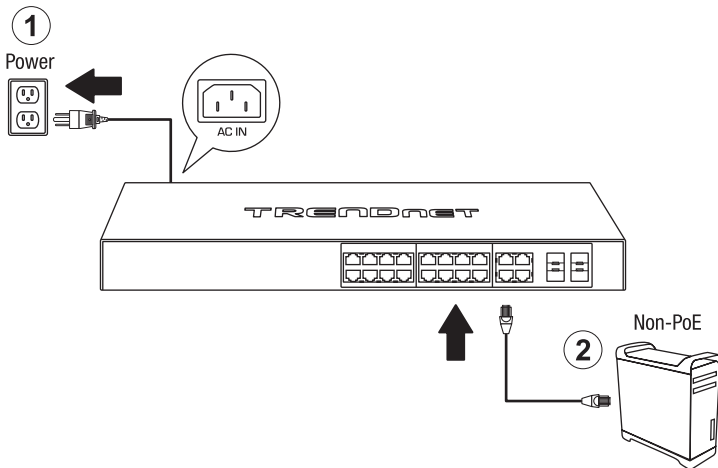
Opzioni

- Rack 19" EIA standard
- Moduli Mini-GBIC (e.g. TE100-MGBFX, TEG-MGBSX, TEG-MGBS10, TEG-MGBS40, TEG-MGBS80, TEG-MGBS10D3, TEG-MGBS10D5, TEG-MGBS40D3, TEG-MGBS40D5)

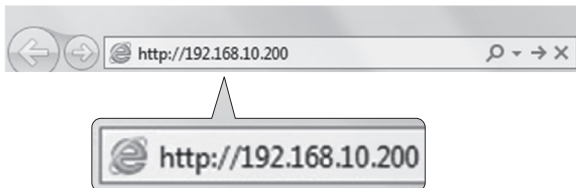
2. Riferimento rapido



3. Installazione e configurazione Hardware



3. Assignare un indirizzo IP statico alla scheda di rete del proprio computer nella sottorete 192.168.10.x (e.g. 192.168.10.25) con subnet mask 255.255.255.0.
4. Aprire il web browser, digitare l'indirizzo IP dello switch nella barra indirizzi e premere **Enter** (Invio). L'indirizzo IP di fabbrica è 192.168.10.200.



5. Inserire **User name** e **Password** e cliccare **LOGIN**. Preimpostazioni:

User Name: **admin**

Password: **admin**

Nota: User name e Password sono sensibili alle maiuscole/minuscole.

admin

admin

LOGIN

6. Cliccare su **System** (Sistema) e successivamente sull'**Interfaccia IPv4**.

7. Cliccare su **Edit** (Modifica) nell'interfaccia vlan1 per configurare lo switch in modo che corrisponda ai requisiti della propria rete. Successivamente cliccare su **Apply** (Applica).

System

IPv4 Interface

Apply

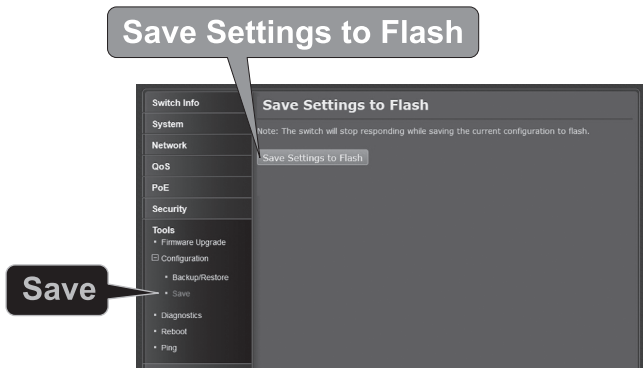
8. Cliccare **OK**.

WARNING

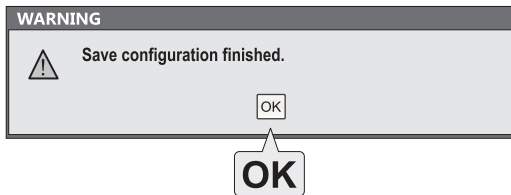
The management session will be disconnected. Use new IP address to connect to device.

OK

9. Nell'elenco a sinistra clicca **Tools** (Strumenti) poi clicca su **Configuration** (Configurazione) e successivamente clicca su **Save** (Salva).



10. Cliccare **OK**.



Nota:

1. Se si desidera rilevare tutti gli switch gestibili via web sulla propria rete, assegnare l'indirizzo IP e cambiare la password, allora installare la utility di gestione per web smart switch. Seguire le indicazioni fornite dalla guida utente.
2. Per scaricare la versione aggiornata della guida utente, prego visitare <http://www.trendnet.com/support> e selezionare **TPE-204US** all'interno del menu a discesa Products Download.

1. Перед началом работы

Содержимое упаковки

- TPE-204US
- Руководство по быстрой установке
- Сетевой провод (1.8 м / 6 футов)
- Набор оборудования монтажной стойки

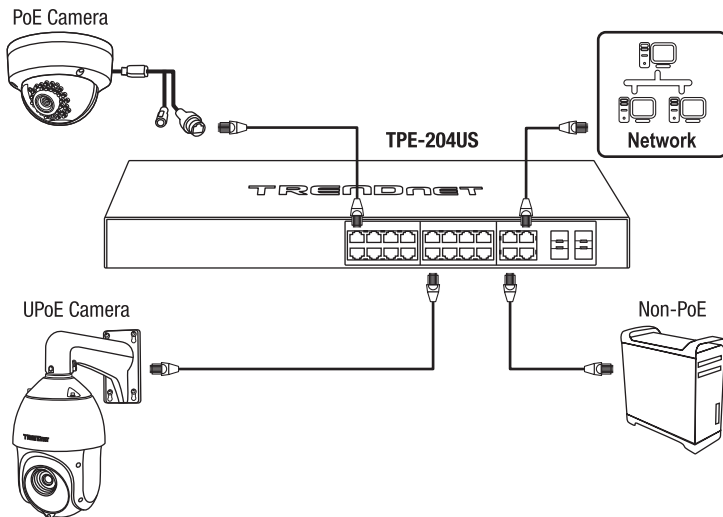
Требования к установке

- Компьютер с портом Ethernet и веб-браузер
- Сетевой кабель

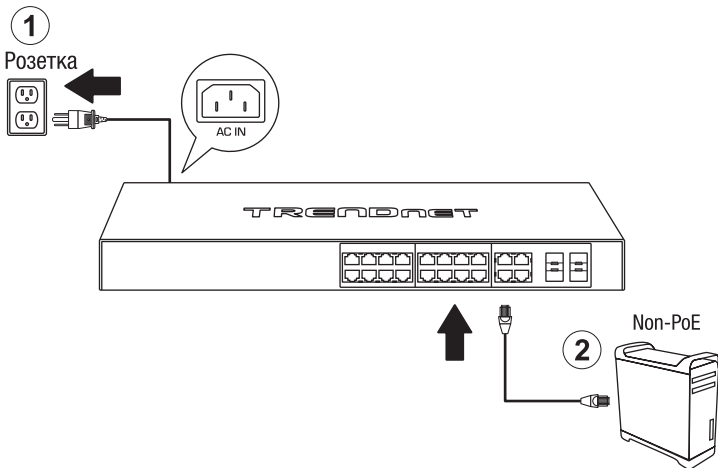
Дополнительное оборудование

- Корпус 19 дюймов стандарта EIA
- Модуль SFP (напр., TE100-MGBFX, TEG-MGBSX, TEG-MGBS10, TEG-MGBS40, TEG-MGBS80, TEG-MGBS10D3, TEG-MGBS10D5, TEG-MGBS40D3, TEG-MGBS40D5)

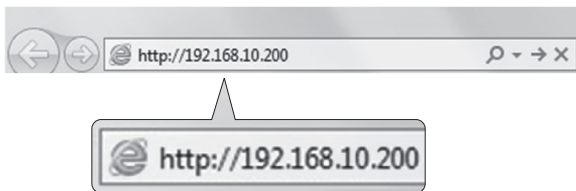
2. Краткий справочник



3. Установка и настройка оборудования



3. Необходимо назначить сетевому адаптеру компьютера статический IP-адрес в подсети 192.168.10.x (напр., 192.168.10.25) и маску подсети 255.255.255.0.
4. Откройте свой браузер, введите IP-адрес коммутатор в адресной строке и нажмите на **Enter** (Ввод). IP-адрес по умолчанию 192.168.10.200.

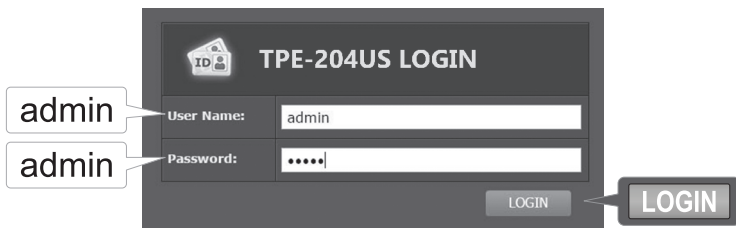


5. Введите **User Name** (Имя Пользовате-ля) и **Password** (Пароль), затем щелкните по кнопке **LOGIN**. По умолчанию:

User name (Имя пользователя): **admin**

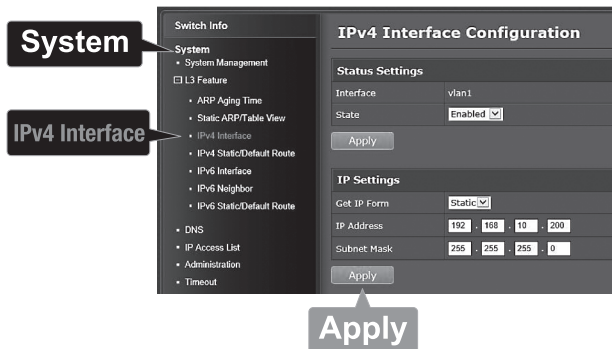
Password (Пароль): **admin**

Примечание: Имя пользователя и пароль следует вводить с учетом регистра.

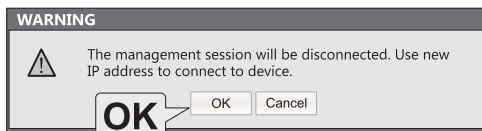


6. Нажмите **System** «Система», а затем щелкните **IPv4 Interface** «Интерфейс IPv4».

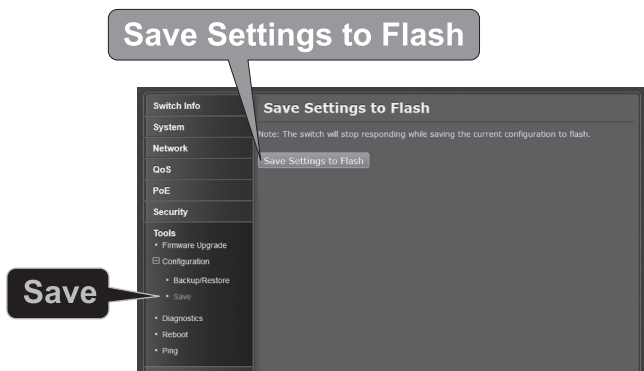
7. Нажмите **Edit** «Изменить» в интерфейсе vlan1, чтобы настроить коммутатор в соответствии с требованиями вашей сети. Затем нажмите **Apply** «Применить».



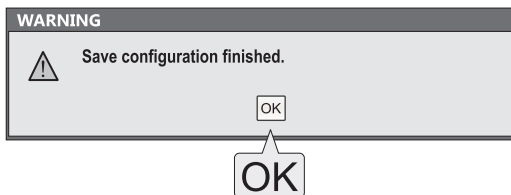
8. Щелкните на **OK**.



9. В левой панели выберите **Tools** «Настройки», нажмите **Configuration** «Конфигурация», а затем нажмите **Save** «Сохранить».



10. Щелкните на "OK".



Примечание:

1. При необходимости простого нахождения в сети всех управляющих коммутаторов, работающих на основе веб-технологии, назначения IP-адреса, изменения пароля и обновления встроенных программ достаточно воспользоваться служебной программой Web Management Utility. Выполните нижеприведенные указания.
2. Загрузить самую последнюю версию направляющего выступа и общего назначения потребителя, пожалуйста пойдите к <http://www.trendnet.com/support> и выбирает **TPE-204US** в пределах Загрузки Продуктов раскрывающийся список.

Declaration of Conformity

TRENDnet[®]

Manufacturer's Name and Address

TRENDnet, Inc.
20675 Manhattan Place
Torrance, CA 90501 USA

Zwolsestraat 156 2587 WB
The Hague The Netherlands



Product Information:

Model Number: TPE-204US
Product Name: 20-Port Gigabit Web Smart Ultra PoE Switch
20-Port Gigabit Web Smart+ Ultra PoE Switch

Trade Name: TRENDnet

TRENDnet hereby declare that the product is in compliance with the essential requirements and other relevant provisions under our sole responsibility.

Safety EN 60950-1:2006/A11:2009/A1:2010/A12:2011/A2:2013

EMC EN 55032:2015 (CISPR32:2015) (Class A)
EN 61000-3-2:2014
EN 61000-3-3:2013
EN 55024:2010
AS/NZS CISPR 32:2015

This product is herewith confirmed to comply with the Directives

Directives EMC Directive 2014/30/EU
RoHS Directive 2011/65/EU
WEEE Directive 2012/19/EU
REACH Regulation (EC) No. 1907/2006
Low Voltage Directive 2014/35/EU

Person responsible for this declaration.

Place of Issue: Torrance, California, USA

Date: July 17, 2018

Name: Sonny Su

Title: Director of Technology

Signature:

A handwritten signature in black ink, appearing to read 'Sonny Su', is written over a horizontal line.



Déclaration de conformité

TRENDnet®

Manufacturer's Nom et Adre

TRENDnet, Inc.
20675 Manhattan Place
Torrance, CA 90501 USA

Zwolsestraat 156 2587 WB
The Hague The Netherlands



Détails du produit:

Modèle: TPE-204US
Nom du produit: Web smart Switch Gigabit Ultra PoE de 20 ports
Web smart Switch Gigabit + Ultra PoE de 20 ports

Nom Commercial: TRENDnet

TRENDnet déclare par la présente que le produit est conforme aux exigences essentielles et aux autres dispositions pertinentes de la Directive en vertu de notre seule responsabilité.

Sécurité EN 60950-1:2006/A11:2009/A1:2010/A12:2011/A2:2013

CEM EN 55032:2015 (CISPR32:2015) (Class A)
EN 61000-3-2:2014
EN 61000-3-3:2013
EN 55024:2010
AS/NZS CISPR 32:2015

Ce produit est conforme à la directives suivante.

Déclaration: Directive CEM 2014/30/EU
Directive RoHS 2011/65/EU
Directive WEEE 2012/19/EU
REACH Règlement (CE) N° 1907/2006
Directive Low Voltage 2014/35/EU

Personne responsable de cette déclaration.

Lieu de délivrance: Torrance, California, USA

Date: 17 Juillet, 2018

Nom: Sonny Su

Position: Director of Technology

Signature:

A handwritten signature in black ink, appearing to read 'Sonny Su', is written over a horizontal line.



TRENDnet[®]

Certifications

This device complies with Part 15 of the FCC Rules.

Operation is subject to the following two conditions:

- (1) This device may not cause harmful interference.
- (2) This device must accept any interference received.

Including interference that may cause undesired operation.



Waste electrical and electronic products must not be disposed of with household waste. Please recycle where facilities exist. Check with your Local Authority or Retailer for recycling advice.

Applies to PoE Products Only: This product is to be connected only to PoE networks without routing to the outside plant.

Note

The Manufacturer is not responsible for any radio or TV interference caused by unauthorized modifications to this equipment. Such modifications could void the user's authority to operate the equipment.

Advertencia

En todos nuestros equipos se mencionan claramente las características del adaptador de alimentación necesario para su funcionamiento. El uso de un adaptador distinto al mencionado puede producir daños físicos y/o daños al equipo conectado. El adaptador de alimentación debe operar con voltaje y frecuencia de la energía eléctrica domiciliar existente en el país o zona de instalación.

Technical Support

If you have any questions regarding the product installation, please contact our Technical Support.

Toll free US/Canada: **1-866-845-3673**

Regional phone numbers available at www.trendnet.com/support

TRENDnet

20675 Manhattan Place
Torrance, CA 90501
USA

Product Warranty Registration

Please take a moment to register your product online. Go to TRENDnet's website at: www.trendnet.com/register