



TPE-102S **Power over Ethernet (PoE) Splitter**

TRENDnet's TPE-102S Power over Ethernet Splitter provides an innovative and cost effective solution to a variety of Ethernet devices such as VoIP phones or Wireless Access Points. Reduce costs by using existing CAT5 cable to deliver both power and data where power source is difficult to obtain.



FEATURES

- IEEE 802.3af Power over Ethernet (PoE) Standard Compliant
- Support up to 12W at 5V DC
- Advanced Auto-Sensing Algorithm enables the ability to draw power from 802.3af PSE (Power Source Equipment) Devices
- High Safety Standards with Short Circuit Protection
- Supports Power Detection and Classification
- Auto Disconnection for Over Voltage or Under Voltage Situation
- 5-Year Warranty



TPE-102S

Power over Ethernet (PoE) Splitter

SPECIFICATIONS

Hardware

Standard:

- IEEE 802.3 10Base-T
- IEEE802.3u 100Base-TX
- IEEE 802.3af Power Over Ethernet

Network Media:

- 10Mbps: Cat 3,4,5 Unshielded/Shielded/Screened Cable
- 100Mbps: Cat 5, 5E, 6 Unshielded/Shielded/Screened Cable

Protocol:

- CSMA/CD

Topology:

- Star

Ports:

- 1 x PoE-IN Port (Data + Power)
- 1 x Data-OUT Port (Data only)

Power:

- DC Output 5V/2.4A

Jumper Cable:

- 2.5mm / 0.1" Diameter on the Connector (Center Positive)

Diagnostic LEDs:

- 48V Power In (Green)
- 5V Power Out (Green)

Power Consumption:

- 15.4 watts (max)

Temperature:

- Operation: 0 ° C~40 ° C (32 ° F~ ° F)
- Storage: -10 ° C~70 ° C (° F~ ° F)

Humidity:

- 10%- 90% (non-condensing)

Dimensions (LxWxH):

- 87 x 85 x 24mm (3.425 x 3.35 x 0.95 inches)

Weight:

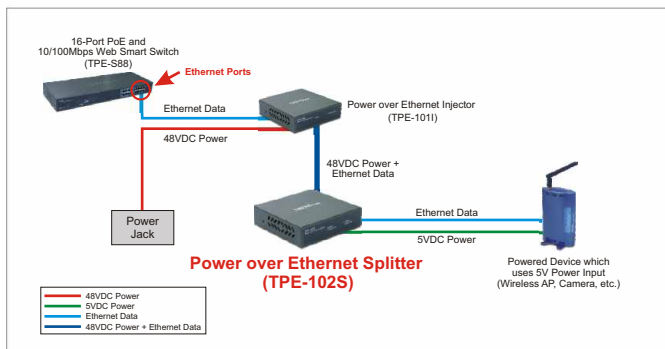
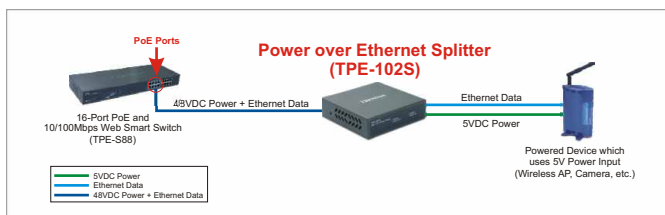
- 156g (0.35 lb)

Certifications:

- FCC, CE



NETWORKING SOLUTIONS



RELATED PRODUCT

→ **TPE-102S:**
Power over Ethernet (PoE) Injector

→ **TPE-S88:**
16-Port 10/100Mbps Web Smart PoE Switch

ORDERING INFORMATION

TRENDware International, Inc.
3135 Kashiwa Street
Torrance, CA. 90505. USA
Tel: 310-891-1100
Fax: 310-891-1111
Web: www.TRENDNET.com
Email: sales@trendware.com



To Order Please Call:
1-888-326-6061