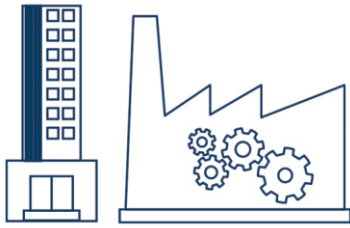


Industrial SFP to Gigabit UPoE Media Converter

TI-UF11SFP (v2.0R)

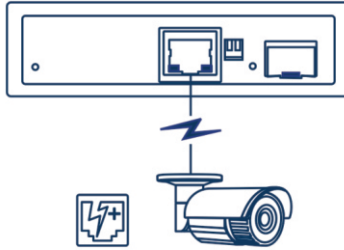
- Hardened IP30 rated SFP to Gigabit UPoE converter
- SFP port accommodates Multi or Single Mode fiber
- Up to 40 km fiber networking distances with the TI-MGBS40 SFP module
- Provides up to 60W for PoE, PoE+ and UPoE compliant devices
- Includes DIN-rail and wall mounts
- Wide operating temperature range -40 to 75 °C (-40 to 167 °F)
- Overload current protection
- Powers supply sold separately (model TI-S12048)

TRENDnet's Industrial SFP to Gigabit UPoE Media Converter, model TI-UF11SFP, converts fiber to copper while providing power to PoE, PoE+, and UPoE compliant devices, such as IP cameras, VoIP phones, and wireless access points. With an operating temperature range of -40°– 75 °C (-40° – 167 °F), the hardened IP30 rated housing is suitable for industrial environments. Dual power inputs (power supply sold separately: TI-S12048) with overload current protection minimizes downtime.



Industrial Applications

Networks devices for manufacturing, general industrial, logistics, surveillance, and corporate applications.



PoE+ Output

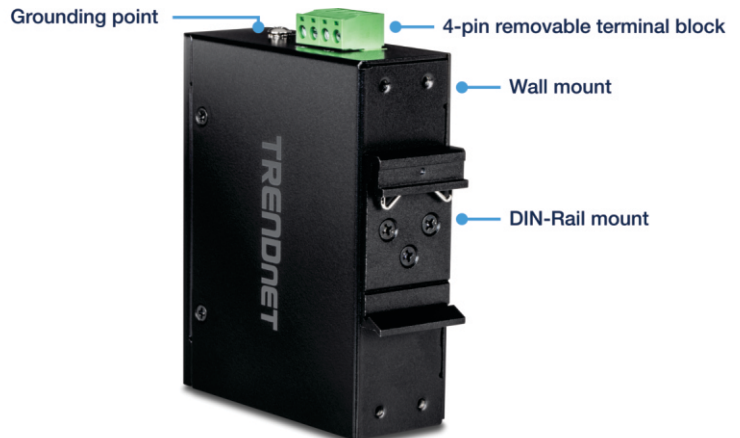
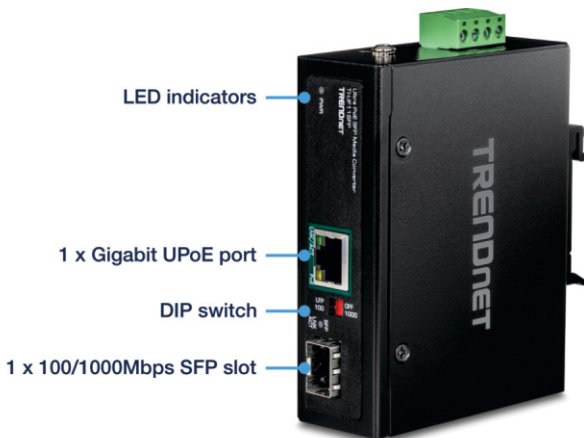
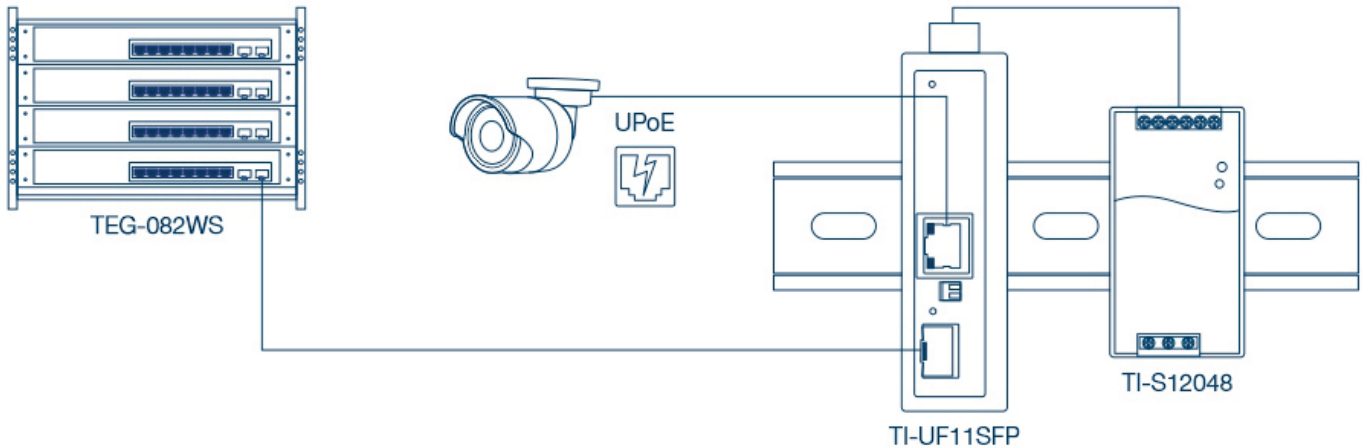
Converts fiber to copper while providing power to PoE and PoE+ compliant devices such as IP cameras, VoIP phones, and wireless access points.



Extreme Environments

Hardened IP30 converter for extreme networking environments, with a -40 to 75 °C (-40 to 167 °F) operating temperature range

NETWORKING SOLUTION



FEATURES



Network Ports

1 x Gigabit PoE+ Ethernet port and
1 x SFP slot



DIN-Rail/Wall Mounts

IP30 rated metal enclosure with
included DIN-rail and wall mount
hardware



Switching Capacity

2Gbps switching capacity



Jumbo Frame

Sends larger packets, or Jumbo
Frames (up to 9KB), for increased
performance



Extreme Temperatures

Hardened converter is rated for a
wide operating temperature range
of -40 to 75 °C (-40 to 167 °F)



Electromagnetic Compliance

Complies with FCC Part 15 Subpart
B Class A and CE EN 55022 Class
A standards



Certifications

Rated for information technology
(ITE) equipment (EN55022/24) and
industrial, scientific, and medical
(ISM) Equipment (EN55011)



Shock and Vibration Resistant

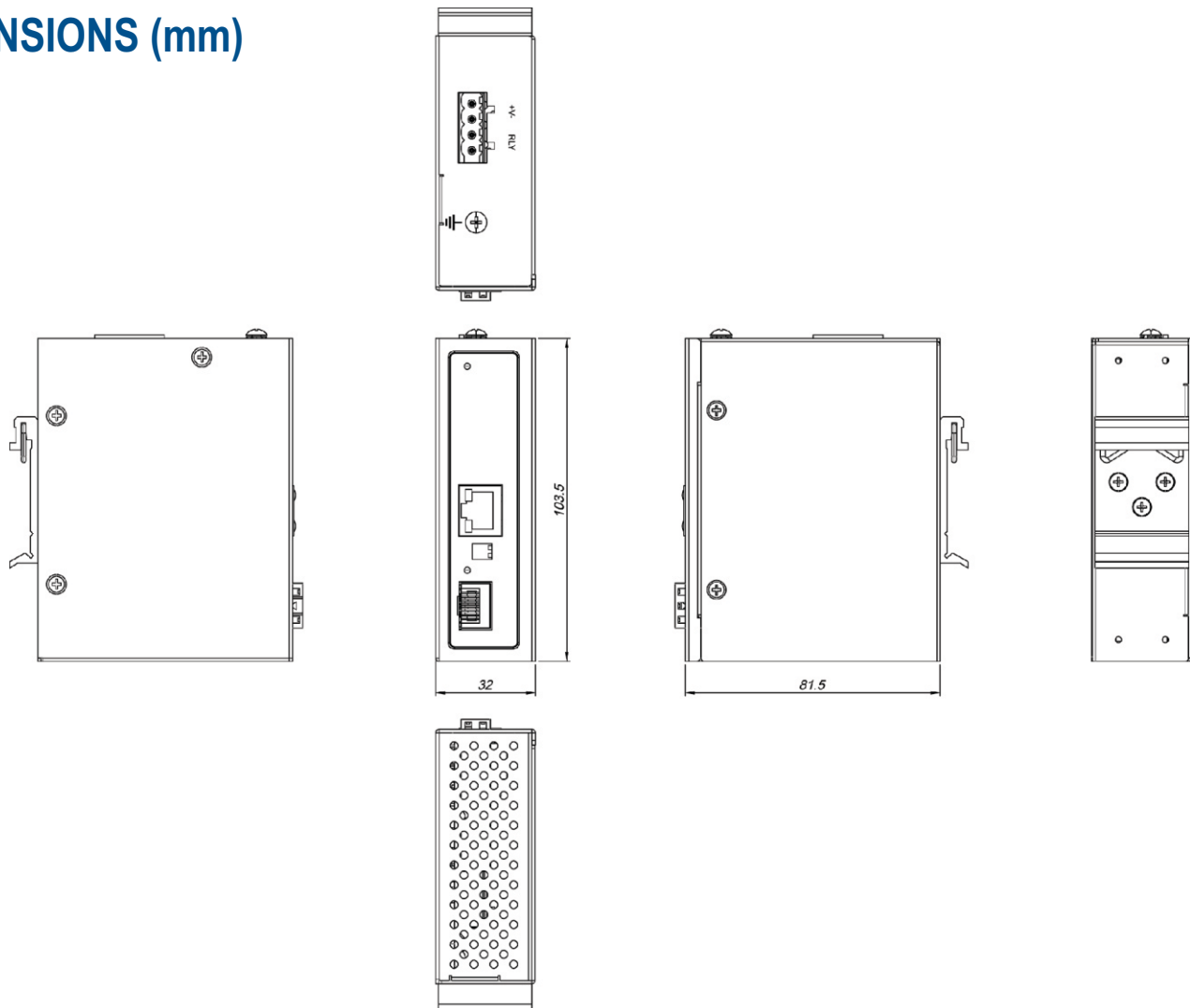
Rated for shock (IEC 60068-2-27),
freefall (IEC 60068-2-32), and
vibration (IEC 60068-2-6)



Grounding Point

Grounding point protects equipment
from external electrical surges

DIMENSIONS (mm)



SPECIFICATIONS

Standards

- IEEE 802.3
- IEEE 802.3u
- IEEE 802.3ab
- IEEE 802.3z
- IEEE 802.3x
- IEEE 802.3af
- IEEE 802.3at
- IEEE 802.3bt draft

Device Interface

- 1 x Gigabit UPoE port
- 1 x 100/1000Mbps SFP slot
- 4-pin removable terminal block
- LED indicators
- DIP switch
- DIN-Rail mount
- Wall mount
- Grounding point

Data Transfer Rate

- Ethernet: 10Mbps (half duplex), 20Mbps (full duplex)
- Fast Ethernet: 100Mbps (half duplex), 200Mbps (full duplex)
- Gigabit: 2000Mbps (full duplex)

Performance

- Data RAM Buffer: 1MB
- Jumbo Frame: 9KB
- MAC Address Table: 2K

Special Features

- Hardened components rated for extreme temperatures
- Auto-Negotiation
- Automatic address learning and address aging

Power

- Input: 48 – 56V DC
- Required power supply: TI-S12048 (sold separately)
- Max. consumption: 72W

PoE

- Pin 3, 6, 4, 5 for power (+) and pin 1, 2, 7, 8 for power (-)
- Power budget: 60W

Terminal Block

- Power and relay inputs, 4 pin
- Wire range: 0.34mm² to 2.5mm²
- Solid wire (AWG): 12-24/14-22
- Stranded wire (AWG): 12-24/14-22
- Torque: 5lbs. – In / 0.5Nm / 0.56 Nm
- Wire strip length: 7-8mm

DIP Switch

- 1: reserved, no function
- 2: set SFP speed to 100Mbps or 1000Mbps

MTBF

- 510,304 hours

Housing

- IP30 aluminum housing
- DIN-Rail mount
- Wall mount
- Grounding point

Operating Temperature

- -40 – 75°C (-40 – 167°F)

Operating Humidity

- Max. 95% non-condensing

Dimensions

- 103.5 x 81.5 x 32mm (4 x 3.2 x 1.2 in.)

Weight

- 153g (5.39 oz.)

Certifications

- CE
- FCC
- Shock (IEC 60068-2-27)
- Freefall (IEC 60068-2-32)
- Vibration (IEC 60068-2-6)
- EN60950-1 (LVD)

Warranty

- 3 years

Package Contents

- TI-UF11SFP
- Quick Installation Guide
- Removable terminal block
- DIN-Rail and wall mount kit

All references to speed are for comparison purposes only. Product specifications, size, and shape are subject to change without notice, and actual product appearance may differ from that depicted herein.