

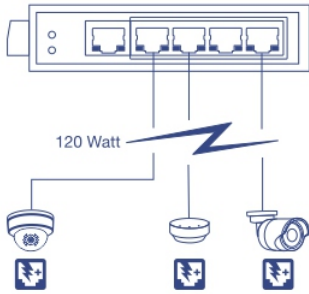


5-Port Industrial Gigabit PoE+ DIN-Rail Switch

TI-PG50 (v1.0R)

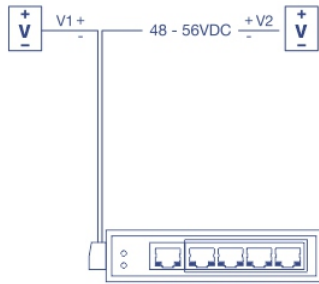
- 4 x Gigabit PoE+ ports
- 1 x Gigabit port
- 120W PoE power budget
- 10Gbps switching capacity
- Hardened IP30 rated metal switch
- Includes DIN-Rail and wall mounts
- Operating temperature range of -40° – 75° C (-40° – 167° F)
- Redundant power inputs with overload current protection
- Power supply sold separately (models: TI-S12048, TI-S24048)

TRENDnet's 5-Port Industrial Gigabit PoE+ DIN-Rail Switch, model TI-PG50, has four gigabit PoE+ ports with a 120W PoE power budget. Users are able to connect four PoE+ devices to this industrial switch, while simultaneously providing a non-PoE gigabit port for connectivity to the network. The TI-PG50 industrial switch is equipped with an IP30 rated metal enclosure, designed to withstand a high degree of vibration and shock, while operating within a wide temperature range of -40° – 75° C (-40° – 167° F) for industrial environments.



PoE Power

A 120W PoE+ power budget for up to four Power over Ethernet devices with PoE+ power.



Fault Tolerance

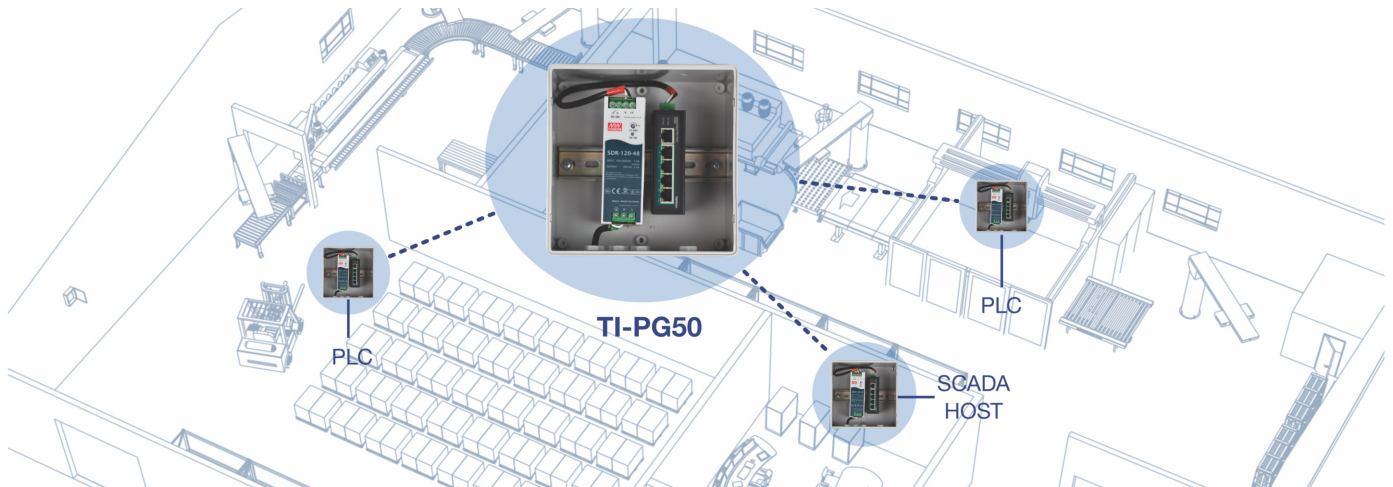
The industrial switch features redundant power inputs with overload current protection.



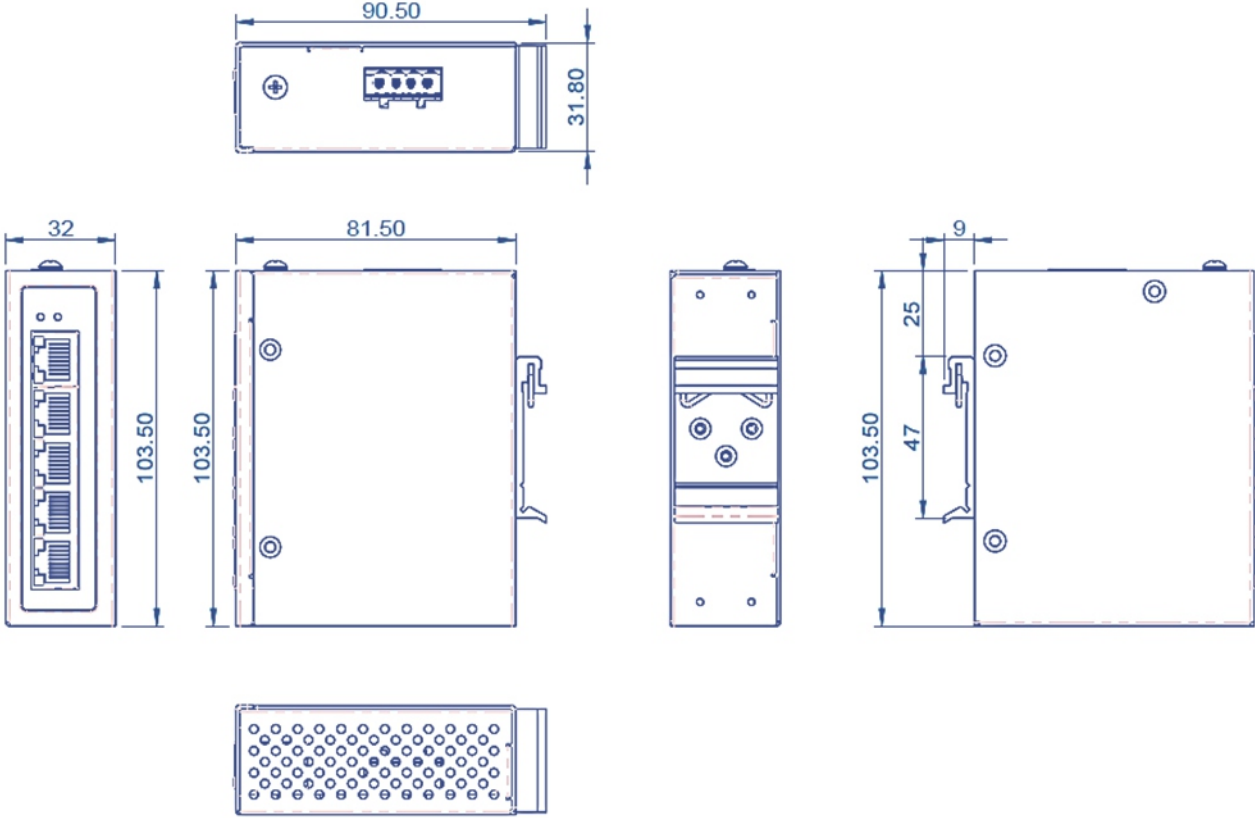
Industrial Design

Equipped with a rugged IP30 rated housing, designed to withstand a high degree of vibration and shock, and operate within a wide temperature range of -40° – 75° C (-40° – 167° F).

NETWORKING SOLUTION



DIMENSIONS (mm)



FEATURES



PoE+ Power Budget

Supplies up to 30W of PoE/PoE+ power per port on the industrial PoE switch with a 120W PoE power budget



Network Ports

4 x Gigabit PoE+ ports and 1 x Gigabit port



DIN-Rail/Wall Mounts

IP30 rated metal enclosure with included DIN-Rail and wall mount hardware



Switching Capacity

10Gbps switching capacity



Redundant Power

Redundant power inputs with overload current protection (compatible power supply sold separately models: TI-S12048 / TI-S24048)



Jumbo Frame

Sends larger packets, or Jumbo Frames (up to 9KB), for increased performance



Extreme Temperatures

Industrial switch rated for an operating temperature range of -40° – 75° C (-40° – 167° F)



Shock and Vibration Resistant

Rated for shock (EN 60068-2-27), freefall (EN 60068-2-32), and vibration (EN 60068-2-6)



Grounding Point

Grounding point on the industrial switch protects equipment from external electrical surges

SPECIFICATIONS

Standards

- IEEE 802.3
- IEEE 802.3u
- IEEE 802.3ab
- IEEE 802.3x
- IEEE 802.3af
- IEEE 802.3at

Device Interface

- 4 x Gigabit PoE+ ports
- 1 x Gigabit port
- 4-pin removable terminal block
- LED indicators
- DIN-Rail mount
- Wall mount
- Grounding point

Data Transfer Rate

- Ethernet: 10Mbps (half duplex), 20Mbps (full duplex)
- Fast Ethernet: 100Mbps (half duplex), 200Mbps (full duplex)
- Gigabit: 2000Mbps (full duplex)

Performance

- Data RAM Buffer: 128KB
- Switching Fabric: 10Gbps
- MAC Address Table: 2K entries
- Jumbo Frame: 9KB
- Forwarding rate: 7.44Mpps (64-byte packet size)

Special Features

- Hardened components rated for extreme temperatures
- Redundant power inputs
- Surge and ESD protection
- Low-profile design

Power

- Input: 48 – 56V DC
- Compatible power supply: TI-S12048, TI-S24048 (sold separately)
- Max. consumption: 2.24W (no PoE load)

PoE

- PoE budget: 120W@56V DC
- 802.3at: Up to 30W per port
- PoE Mode A: Pins 1, 2, 3, and 6 for power

Terminal Block

- Redundant power inputs, 4-pin
- Wire range: 0.34mm² to 2.5mm²
- Solid wire (AWG): 12-24/14-22
- Stranded wire (AWG): 12-24/14-22
- Torque: 5 lb. – In / 0.5Nm / 0.56Nm
- Wire strip length: 7-8mm

MTBF

- 538.451 hours

Enclosure

- IP30 rated metal enclosure
- Fanless passive cooling
- DIN-Rail mount
- Wall mount
- Grounding point
- ESD Protection: Contact: 6kV / Air: 8kV
- Surge Protection: 2kV
- Overload current protection
- Reverse polarity protection

Operating Temperature

- - 40° – 75° C (-40° – 167° F)

Operating Humidity

- Max. 95 % non-condensing

Dimensions

- 104 x 82 x 32mm (4.0 x 3.2 x 1.2 in.)

Weight

- 190g (6.7 oz.)

Certifications

- CE
- FCC
- UL
- Shock (IEC 60068-2-27)
- Freefall (IEC 60068-2-32)
- Vibration (IEC 60068-2-6)
- IEC 61000-4-2
- IEC 61000-4-4
- IEC 61000-4-5

Warranty

- 3 year

Package Contents

- TI-PG50
 - Quick Installation Guide
 - Removable terminal block
 - DIN-Rail and wall mount kit
-

All references to speed are for comparison purposes only. Product specifications, size, and shape are subject to change without notice, and actual product appearance may differ from that depicted herein.