

# TEW-OA14DK

**14dBi Directional Outdoor Antenna  
Quick Installation Guide**

**Antenne extérieure directionnelle 14dBi  
Guide d'installation rapide**

**Direktionale 14dBi-Außenantenne  
Kurzanleitung zur Installation**

**Guía de instalación rápida de  
la antena exterior direccional 14dBi**

**Version 01.14.05**



**TRENDnet**<sup>®</sup>  
TRENDware, USA  
**What's Next in Networking**

# Table of Contents

English .....	1
1. Prepare for Installation .....	1
2. Product Detail .....	2
3. Hardware Installation .....	3
4. Diagram .....	10
Troubleshooting .....	11

# English QIG

## 1. Prepare for Installation

Thank you for purchasing the TRENDnet TEW-OA14DK 14dBi Directional Outdoor Antenna.

This guide will help you set up your Directional Outdoor Antenna. Following the installations should be quick and easy. If you run into problems, please refer to the Troubleshooting section. If you need further technical support, please visit [www.TRENDNET.com](http://www.TRENDNET.com) or call technical support by phone.

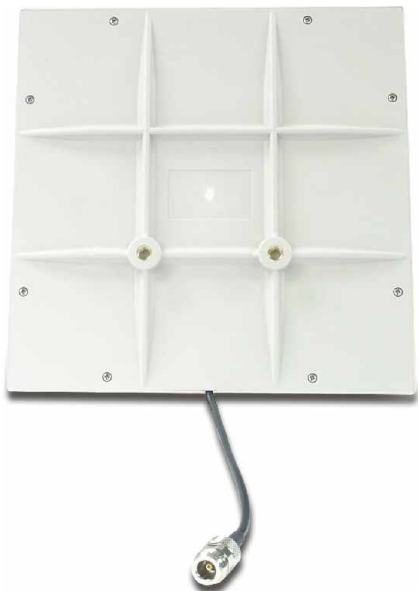
### Verify Package Contents

Please make sure you have everything in the box:



## 2. Product Detail

The Directional Outdoor Antenna has two holes to install the mounting brackets and a connector for your outdoor/indoor Wi-Fi Access Point.



# 3. Hardware Installation

## Wall Mounting

For your reference, please see the attached diagram to guide you in mounting your TEW-OA14DK.

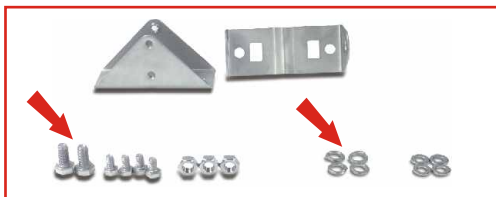
1. Read through these instructions to get an idea of the process.
2. Open the hardware bags carefully and put the hardware in separate groups. If the hardware is pre-assembled, please disassemble it and place them together in one group.
3. Use the two M8 x 12 screws (4) and M8 spring washers (3) to mount one of the M-Type Stands (2) to the TEW-OA14DK



4. Securely mount the Main Stand (13) on the wall with two tapping screws (14). Use the Plastic Wall Anchors (15) when necessary.



5. Assemble the other M-Type Stand (2) and the Triangle Stand (12) with two M8 x 16 screws (9), four M8 washers (6), and two M8 nuts (8).



6. Install the assembly in step 5 (the other M-Type Stand and the Triangle Stand) to the assembly in step 4 (the Main Stand connected to the wall) with four M6 x 12 screws (10) and four M6 washers (11). Do not tighten the screws, so you can rotate the Triangle Stand along the Main Stand's curved slots.



7. Connect the assembly in step 3 (The TEW-OA14DK with the attached Type Stand) to the assembly in step 6 (the other M-Type Stand, the Triangle Stand, and the Main Stand) with M8 x 110 screw (7), steel tube (5), M8 Spring Washer (3), M8 washer (6), and install the M8 nut (8) on the M8 x 110 screw (7) loosely (loose enough for you to adjust the antenna angle).



8. Adjust the antenna angles and then tighten all the nuts/bolts. Be careful not to over tighten the nuts and bolts.



Your hardware installation is now complete.



## Pole mounting

If you are mounting the antenna on the pole, you will need to use the Clamp Blocks, the long bolts, and the washers (instead of the Main Stand and the Triangle Stand). The blocks, the bolts, and the washers are not shown in the attached diagram.

1. Read through these instructions to get an idea of the process.
2. Open the hardware bags carefully and put the hardware in separate groups. If the hardware is pre-assembled, please disassemble it and place them together in one group.
3. Use the two M8 x 12 screws (4) and M8 spring washers (3) to mount one of the M-Type Stands (2) to the TEW-OA14DK.



4. Connect the assembly in step 3 (The TEW-OA14DK with the attached Type Stand) to the other M-Type Stand with M8 x 110 screw (7), steel tube (5), M8 Spring Washer (3), M8 washer (6), and install the M8 nut (8) on the M8 x 110 screw (7) loosely (loose enough for you to adjust the antenna angle).



5. Place the two Clamp blocks around a pole (5 cm diameter pole recommended) and insert the long bolts with the Clamp block nuts as shown below.



6. Align the assembly in step 4 (THE TEW-OA14DK with two attached M-Type Stands) with the nuts that are in assembly of step 5 (the pole with two Clamp blocks). It is recommended that you use two people to help in this installation step. Remove one of the nuts from the Clamp Block and insert the bolt into the M-Type Stand in the TEW-OA14DK. Then insert the Clamp Block washer and place the nut over the Clamp block washer. Repeat the same steps with the other side of the pole.



7. Adjust the antenna angles and then tighten all the nuts/bolts. Be careful not to over tighten the nuts and bolts.

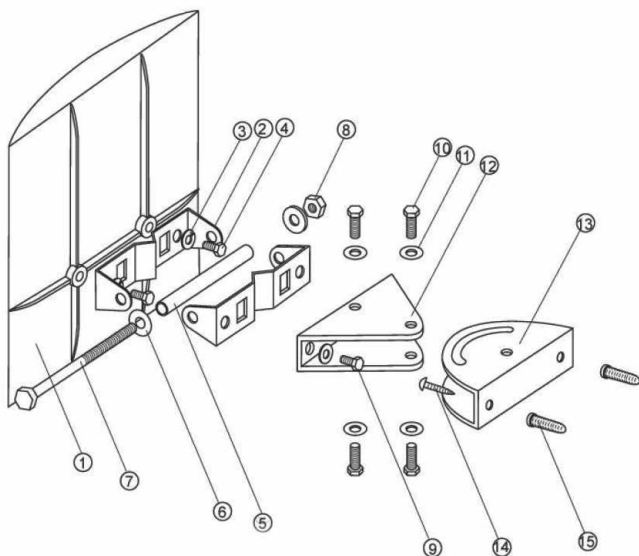


Your hardware installation is now complete.

## 4. Diagram

### TEW-OA14D 14 dBi Outdoor High Gain Directional Panel Antenna for 2.4 ISM Band

#### Mounting Configuration



- |                                |                                    |
|--------------------------------|------------------------------------|
| 1. Antenna Body                | 9. M8X16 screw - 2 pieces          |
| 2. M-type Stand - 2 pieces     | 10. M8X12 screw - 4 pieces         |
| 3. M8 Spring washer - 2 pieces | 11. M6 washer - 4 pieces           |
| 4. M8X12 screw - 2 pieces      | 12. Triangle stand                 |
| 5. Steel tube - 1 piece        | 13. Main stand                     |
| 6. M8 washer - 4 pieces        | 14. Tapping screw - 2 pieces       |
| 7. M8X110 screw - 1 piece      | 15. Plastic wall anchor - 2 pieces |
| 8. M8 nut - 3 pieces           |                                    |

# Troubleshooting

**Q1: How come I cannot get a Wi-Fi signal when I go behind the antenna?**

**A1:** The TEW-OA14DK is a directional antenna and can only send and receive signals from the front panel. You can either adjust the position of the antenna, or you can adjust the position of your laptop or PC.

**Q2: My access point indicates that it is receiving power, and my laptop is within range of the TEW-OA14DK. However, I am not receiving any signals.**

**A2:** Make sure that you connected the antenna to the Wi-Fi Access Point. Use the N-type to Reverse SMA connector cable to connect your Access Point to the TEW-OA14DK.

**Q3: Why won't the TEW-OA14DK work with my IEEE 802.11a Wireless Router?**

**A3:** The TEW-OA14DK is designed only for IEEE 802.11b or 802.11g Wireless Access Points. Please use the TEW-OA14DK with compatible wireless devices.

If you have any questions regarding the **TEW-OA14DK 14dBi Directional Outdoor Antenna**, please contact Trendware Technical Support Department.

**Contact Technical Support**

Telephone: +1-310-626-6252

Fax: +1-310-626-6267

Website: [www.TRENDNET.com](http://www.TRENDNET.com)

E-mail: [support@trendware.com](mailto:support@trendware.com)

**Technical Support Hours**

7:00AM ~ 6:00PM, Monday through Friday  
Pacific Standard Time (except holidays)

**Certifications**

This equipment has been tested and found to comply with FCC and CE Rules. Operation is subject to the following two conditions:

- (1) This device may not cause harmful interference.
- (2) This device must accept any interference received including interference that may cause undesired operation.





## Product Warranty Registration

Please take a moment to register your product online.  
Go to TRENDware's website at <http://www.TRENDNET.com>

**TRENDware International, Inc.**  
3135 Kashiwa Street  
Torrance, CA 90505

**<http://www.TRENDNET.com>**