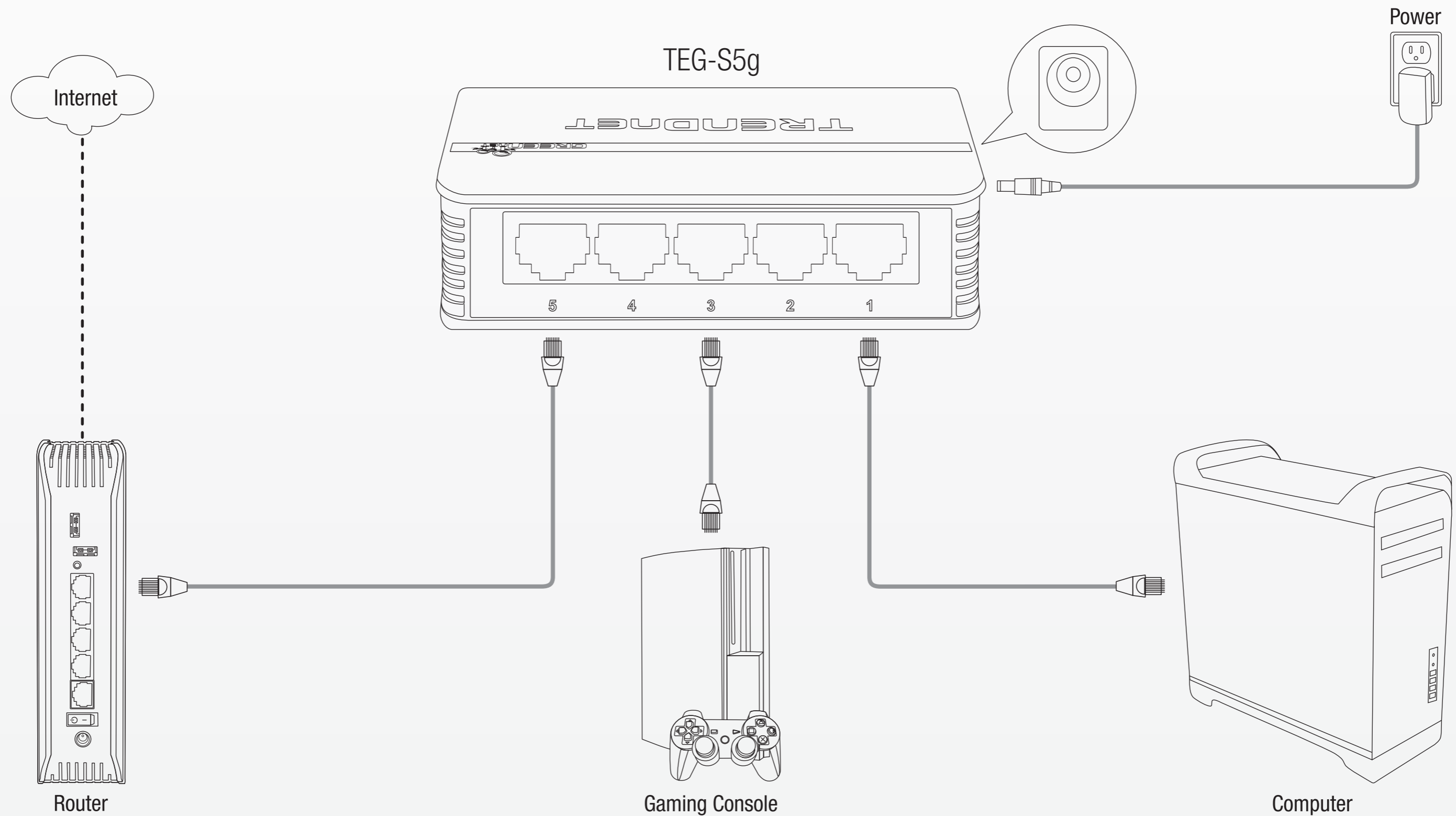




## Quick Installation Guide

5-Port Gigabit GREENnet Switch  
TEG-S5g



## Declaration of Conformity

TRENDNET®

### Manufacturer's Name and Address

TRENDnet, Inc.  
20675 Manhattan Place  
Torrance, CA 90501 USA

Zwolsestraat 156 2587 WB  
The Hague The Netherlands



### Product Information:

**Model Number:** TEG-S5g  
**Product Name:** 5-Port Gigabit GREENnet Switch

**Trade Name:** TRENDnet

TRENDnet hereby declares that the product is in compliance with the essential requirements and other relevant provisions under our sole responsibility.

**Safety** EN 60950-1: 2006 + A11: 2009 + A1: 2010 + A12: 2011 + A2: 2013

**EMC** EN 55032: 2012 + AC: 2013 Class B  
EN 61000-3-2: 2014  
EN 61000-3-3: 2013  
EN 55024: 2010 + A1: 2015  
AS/NZS CISPR 32: 2013

This product is herewith confirmed to comply with the Directives.

### Directives:

EMC Directive 2014/30/EU  
RoHS Directive 2011/65/EU  
WEEE Directive 2012/19/EU  
Low Voltage Directive 2014/35/EC

Person responsible for this declaration.

Place of Issue: Torrance, California, USA

Date: April 13, 2017

Name: Sonny Su

Title: Director of Technology

Signature:



## Déclaration de conformité

TRENDNET®

### Manufacturer's Nom et Adre

TRENDnet, Inc.  
20675 Manhattan Place  
Torrance, CA 90501 USA

Zwolsestraat 156 2587 WB  
The Hague The Netherlands



### Détails du produit

**Modèle:** TEG-S5g  
**Nom du produit:** Switch GREENnet Gigabit à 5 ports

**Nom Commercial:** TRENDnet

TRENDnet déclare par la présente que le produit est conforme aux exigences essentielles et aux autres dispositions pertinentes de la Directive en vertu de notre seule responsabilité.

**Sécurité** EN 60950-1: 2006 + A11: 2009 + A1: 2010 + A12: 2011 + A2: 2013

**CEM** EN 55032: 2012 + AC: 2013 Class B  
EN 61000-3-2: 2014  
EN 61000-3-3: 2013  
EN 55024: 2010 + A1: 2015  
AS/NZS CISPR 32: 2013

Ce produit est conforme à la directives suivante.

### Directives:

EMC Directive 2014/30/EU  
RoHS Directive 2011/65/EU  
WEEE Directive 2012/19/EU  
Low Voltage Directive 2014/35/EC

Personne responsable de cette déclaration.

Lieu de délivrance: Torrance, California, USA

Date: 13 Avril, 2017

Nom: Sonny Su

Position: Director of Technology

Signature:



### Certifications

This device complies with Part 15 of the FCC Rules. Operation is subject to the following two conditions:

- (1) This device may not cause harmful interference.
- (2) This device must accept any interference received. Including interference that may cause undesired operation.



Waste electrical and electronic products must not be disposed of with household waste. Please recycle where facilities exist. Check with your Local Authority or Retailer for recycling advice.

Applies to PoE Products Only: This product is to be connected only to PoE networks without routing to the outside plant.

### Note

The Manufacturer is not responsible for any radio or TV interference caused by unauthorized modifications to this equipment. Such modifications could void the user's authority to operate the equipment.

### Advertencia

En todos nuestros equipos se mencionan claramente las características del adaptador de alimentación necesario para su funcionamiento. El uso de un adaptador distinto al mencionado puede producir daños físicos y/o daños al equipo conectado. El adaptador de alimentación debe operar con voltaje y frecuencia de la energía eléctrica domiciliar existente en el país o zona de instalación.

### Technical Support

If you have any questions regarding the product installation, please contact our Technical Support.

Toll free US/Canada: **1-866-845-3673**

Regional phone numbers available at [www.trendnet.com/support](http://www.trendnet.com/support)

### Product Warranty Registration

Please take a moment to register your product online.

Go to TRENDnet's website at: [www.trendnet.com/register](http://www.trendnet.com/register)

### TRENDnet

20675 Manhattan Place  
Torrance, CA 90501  
USA

### Limited Warranty

TRENDnet warrants its products against defects in material and workmanship, under normal use and service. Specific warranty periods are listed on each of the respective product pages on the TRENDnet website.

### Garantie Limitée

TRENDnet garantit ses produits contre les problèmes de matériel ou de fabrication, dans des conditions normales d'utilisation et de service. Les périodes de garanties précises sont mentionnées sur chacun des pages produits du site web de TRENDnet.

### Eingeschränkte Garantie

TRENDnet gewährt eine Garantie für seine Produkte im Falle von Material- und Bearbeitungsdefekten, bei normaler Verwendung und Wartung. Spezielle Garantiezeiträume werden auf jeder Produktseite auf der Website von TRENDnet genannt.

### Garantía limitada

TRENDnet garantiza que sus productos carecen de defectos en el material y la fabricación, en condiciones de uso y funcionamiento normales. Los períodos específicos de garantía figuran en cada una de las páginas de producto del sitio web de TRENDnet.

### Ограниченная гарантия

Компания TRENDnet предоставляет гарантию на свои изделия от дефектов материалов и сборки при нормальном использовании и обслуживании. Конкретные гарантийные сроки указаны на странице каждого продукта на сайте компании TRENDnet.

### Garantia Limitada

A TRENDnet garante seus produtos contra defeitos de material e mão de obra sob condições normais de uso e serviço. Os períodos de garantia específicos estão listados em cada uma das páginas dos respectivos produtos no site da TRENDnet.

### Piiratud garantii

TRENDneti garantii hõlmab materjali- ja koostamisdefekte, mis ilmnevad toote tavapärasel kasutamisel. Garantiiaja täpne pikkus konkreetsel tootel on leitud TRENDneti kodulehel vastava toote infolehel.

### Garanzia limitata

TRENDnet garantisce i propri prodotti da difetti di materiali e manodopera, in condizioni di normale uso ed esercizio. I periodi di garanzia specifici sono elencati sulle rispettive pagine di prodotto sul sito TRENDnet.