



TEG-S41SX **5-Port 10/100/1000Mbps Copper Gigabit Switch with Mini-GBIC**

TRENDnet's TEG-S41SX Copper Gigabit Switch delivers small office networks a quick boost of copper gigabit speed and Mini-GBIC flexibility to meet immediate bandwidth demand. The switch includes four 10/100/1000Mbps Copper Gigabit Ethernet ports and one Mini-GBIC module slot for fiber connectivity to Server(s) or high-end workstations. TRENDnet's known reliability and affordability make this a great entry-level switch for growing networks.



FEATURES

- ...→ 4 x 10/100/1000Mbps Auto-Negotiation and Auto-MDIX Fast Ethernet Ports
- ...→ 1 x 1000Mbps Mini-GBIC Port for Optional LC type Gigabit Fiber Module
- ...→ Full/Half-Duplex Transfer Mode for each Port (only Full Duplex Mode for 1000Mbps)
- ...→ Store and Forward Switching Architecture
- ...→ Integrated address Look-Up Engine with 4K absolute MAC address table
- ...→ Supports 1M RAM Data Buffering
- ...→ IEEE 802.3x Flow Control for Full Duplex Mode
- ...→ Back Pressure Flow Control for Half Duplex Mode
- ...→ Extensive diagnostic LED's on the Front Panel
- ...→ 5-Year Warranty

BENEFITS

- ...→ **Easy Upgrade:**
Ethernet workgroups are able to upgrade to Fast Ethernet by changing adapters and a hub without changing switches
- ...→ **Expandability:**
Expand the connection distance with optional GBIC fiber modules
- ...→ **Performance:**
Provides non-blocking high performance with internal switch controller
- ...→ **Cost-Effectiveness:**
The TEG-S41SX presents Gigabit Ethernet at an affordable rate



TEG-S41SX

5-Port 10/100/1000Mbps Copper Gigabit Switch with Mini-GBIC

SPECIFICATIONS

Standards:

- IEEE 802.3 10Base-T, IEEE 802.3u 100Base-TX, IEEE 802.3ab 1000Base-T, IEEE 802.3z 1000Base-SX/LX, IEEE 802.3x Full Duplex Flow Control

Network Media:

- Ethernet: UTP/STP Cat. 3, 4, 5
- Fast Ethernet: UTP/STP Cat. 5
- Gigabit: UTP/STP Cat. 5

Protocol /Topology:

- CSMA/CD, Star

LAN Ports:

- 4 x 10/100Mbps Auto Negotiation, Auto-MDIX Fast Ethernet Ports
- 1 x 1000Mbps Mini-GBIC Port for Optional Mini-GBIC Module

Address Table:

- 4K Entries

Data RAM Buffer:

- 1Mbit

Data Transfer Rate:

- Ethernet: 10Mbps/20Mbps (Half-Duplex/Full-Duplex)
- Fast Ethernet: 100Mbps/200Mbps (Half-Duplex/Full-Duplex)
- Gigabit Ethernet: 2000Mbps (Full-Duplex)

Diagnostic LEDs:

- Per Unit: Power
- Per Fast Ethernet: Link/ACT
- Per Cooper Gigabit Port: Link/ACT, 1000M, 100M
- Per Mini-GBIC Gigabit Port: Link/ACT, 1000M

Power/Consumption:

- 7.5V 1.5A External Power Adapter / 7.6 watts (max)

Dimensions (W x D x H):

- 171 x 98 x 29 mm
(6.7 x 3.85 x 1.14 inches)

Weight:

- 0.5kg (1.02lbs)

Temperature:

- Operating : 0° ~ 40° C (32° ~ 104° F)
- Storage: -10° ~ 70° C (14° ~ 158° F)

Humidity:

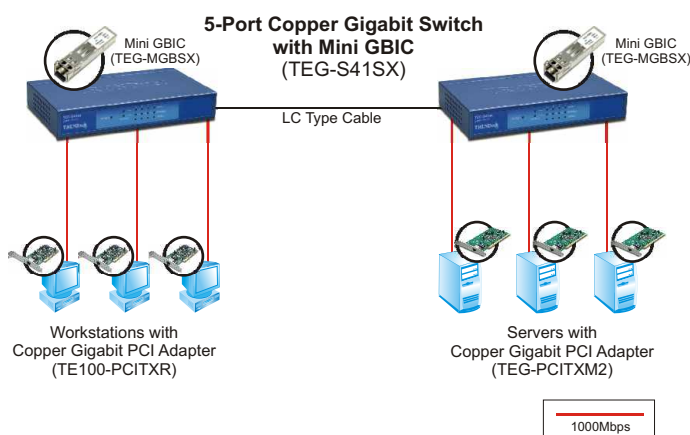
- 10% ~ 90% (no-condensing)

Certifications:

- FCC Class A, CE Class A



NETWORKING SOLUTIONS



To Order Please Call:
1-888-326-6061

RELATED PRODUCT

- ➡ **TEG-S41SX:** 5-Port 10/100/1000Mbps Copper Gigabit Switch w/ Mini-GBIC
- ➡ **TEG-2224WS:** 28-Port (24 10/100, 2 10/100/1000, 2 Mini-GBIC) Smart Switch
- ➡ **TEG-2248WS:** 52-Port (48 10/100, 2 10/100/1000, 2 Mini-GBIC) Smart Switch

ORDERING INFORMATION

TRENDware International, Inc.
3135 Kashiwa Street
Torrance, CA. 90505. USA
Tel: 310-891-1100
Fax: 310-891-1111
Web: www.TRENDNET.com
Email: sales@trendware.com

TRENDnet
TRENDware, USA