



## 16-Port Gigabit GREENnet Switch TEG-S16Dg (V1.1R)

The 16-Port Gigabit GREENnet Switch, model TEG-S16Dg, provides high bandwidth performance, ease of use, and reliability, all while reducing power consumption by up to 70%\*.

GREENnet technology automatically adjusts power voltage as needed, resulting in substantial energy savings. Embedded GREENnet technology works right out of the box with no management requirement.



Boost office network efficiency and eliminate network congestion with Gigabit speeds and a total switching capacity of 32Gbps with Full-Duplex mode. A built in universal power supply reduces cable clutter and diagnostic LEDs help with network troubleshooting. Plug and Play this sturdy metal switch for reliable high-speed network connectivity.

## FEATURES

- 16 x 10/100/1000Mbps Auto-MDIX Gigabit Ethernet ports
- On / off power switch
- Features a 32Gbps forwarding capacity
- Internal power supply reduces clutter
- GREENnet technology reduces electrical power consumption when:
  - a. Ethernet port is not in use
  - b. Connected device is turned off
  - c. Connected device is in power-saving mode
  - d. Based on Ethernet cable length
- IEEE 802.3az Energy Efficient Ethernet technology
- IEEE 802.3x Flow Control for full-duplex mode
- Back pressure Flow Control for half-duplex mode
- Store-and-Forward switching architecture with non-blocking wire-speed performance
- Integrated address look-up engine with an 8K MAC address table, and 2 MBits RAM data buffer
- Operates and maximizes packet filtering and forwarding rate
- Jumbo Frame support up to 9216Bytes
- Sturdy metal housing
- Diagnostic LEDs and Plug & Play support
- Limited lifetime warranty

# 16-Port Gigabit GREENnet Switch

TEG-S16Dg (V1.1R)

## SPECIFICATIONS

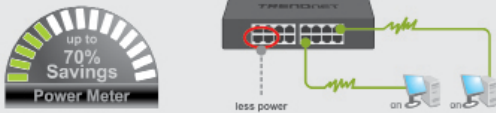


### HARDWARE

<b>Standards</b>	<ul style="list-style-type: none"><li>• IEEE 802.3 10Base-T; IEEE 802.3u 100Base-TX IEEE 802.3ab 1000Base-T; IEEE 802.3x Flow Control</li><li>• IEEE 802.3az Energy Efficient Ethernet</li></ul>
<b>Network Media</b>	<ul style="list-style-type: none"><li>• Ethernet: Cat. 5 up to 100 m</li><li>• Fast Ethernet: Cat. 5 and 5e up to 100 m</li><li>• Gigabit Ethernet: Cat. 5e and 6 up to 100 m</li></ul>
<b>Data Rate</b>	<ul style="list-style-type: none"><li>• Ethernet: 10Mbps/20Mbps (half/full-duplex)</li><li>• Fast Ethernet: 100Mbps/200Mbps (half/full-duplex)</li><li>• Gigabit Ethernet: 2000Mbps (full-duplex)</li></ul>
<b>Protocol / Topology</b>	<ul style="list-style-type: none"><li>• CSMA/CD, Star</li></ul>
<b>Power Consumption</b>	<ul style="list-style-type: none"><li>• 7.2 Watts (max.)</li></ul>
<b>Switch Fabric</b>	<ul style="list-style-type: none"><li>• 32Gbps</li></ul>
<b>Interface</b>	<ul style="list-style-type: none"><li>• 16 x 10/100/1000Mbps Auto-MDIX RJ-45 ports</li></ul>
<b>Power Button</b>	<ul style="list-style-type: none"><li>• On / off power button</li></ul>
<b>Data RAM Buffer</b>	<ul style="list-style-type: none"><li>• 2 MBits</li></ul>
<b>Filtering Table</b>	<ul style="list-style-type: none"><li>• 8K entries</li></ul>
<b>Jumbo Frame Support</b>	<ul style="list-style-type: none"><li>• Up to 9216Bytes</li></ul>
<b>Diagnostic LED</b>	<ul style="list-style-type: none"><li>• Power, Link/ACT, 100Mbps, 1000Mbps</li></ul>
<b>Power</b>	<ul style="list-style-type: none"><li>• 100~240VAC, 50/60Hz Internal universal switching power</li></ul>
<b>Dimension</b>	<ul style="list-style-type: none"><li>• 280 x 180 x 44 mm (11 x 7 x 1.7 in.)</li></ul>
<b>Weight</b>	<ul style="list-style-type: none"><li>• 1.5 kg (3.3 lbs.)</li></ul>
<b>Temperature</b>	<ul style="list-style-type: none"><li>• Operating: 0° ~ 40° C (32° ~ 104° F) • Storage: -10° ~ 70° C (14° ~ 158° F)</li></ul>
<b>Humidity</b>	<ul style="list-style-type: none"><li>• Max. 90% (non-condensing)</li></ul>
<b>Certifications</b>	<ul style="list-style-type: none"><li>• CE, FCC</li></ul>

\* Max power savings compared with standard TRENDnet switches.

TRENDnet offers a limited lifetime warranty for all of its metal-enclosed network switches that have been purchased in the United States/Canada on or after 1/1/2015. Cooling fan and internal power supply carry a one-year warranty.

## NETWORKING SOLUTIONS

- 1 Reduces power consumption of unused ports**  

- 2 Reduces power consumption when devices are off or in standby mode**  

- 3 Reduces power consumption with shorter cable lengths**  


## PACKAGE CONTENTS

TEG-S16Dg

Multi-Language Quick Installation Guide

Power cord (1.8m / 6ft.)

## RELATED PRODUCTS

**TEW-639GR** 300Mbps Wireless N Gigabit Router

**TEG-S24Dg** 24-Port Gigabit GREENnet Switch

**TEG-PCITXR** Gigabit PCI Adapter

## CONTACT INFORMATION

**TRENDnet**

20675 Manhattan Place, Torrance, CA 90501 USA

Tel: 1-310-961-5500

Fax: 1-310-961-5511

Web: [www.trendnet.com](http://www.trendnet.com)

Email: [sales@trendnet.com](mailto:sales@trendnet.com)

**1-888-326-6061**

