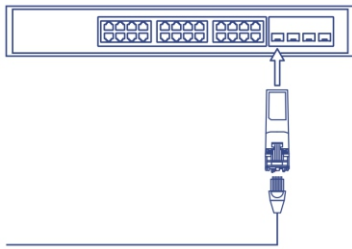


10G RJ-45 Copper SFP+ Module

TEG-10GBRJ (v1.0R)

- Connect devices up to 30m (98ft.) over cat6a cabling (or better) at 10G speeds
- Compliant with IEEE 802.3an 10 Gigabit Ethernet
- Backwards compatible with IEEE 802.3bz multi-gigabit (2.5G / 5G) speeds
- Compliant with IEEE 802.3ab and IEEE 802.3z Gigabit Ethernet
- Shielded RJ-45 copper interface
- Low Electromagnetic Interference (EMI) design
- Digital Diagnostics Monitoring (DDM) support
- Small Form-Factor Pluggable (SFP+) and Multi-Source Agreement (MSA) compliant
- Hot-Pluggable
- Low power consumption
- Lifetime Warranty

TRENDnet's 10G RJ-45 Copper SFP+ Module, model TEG-10GBRJ, converts a standard SFP+ slot into an RJ-45 multi-gigabit port for additional high-speed copper connectivity. This 10G copper SFP+ module works with standard SFP+ slots commonly found in network switches and fiber media converters. Save on equipment costs by repurposing a switch's unused SFP+ slots for reliable copper connectivity with TRENDnet's 10G copper SFP+ module.



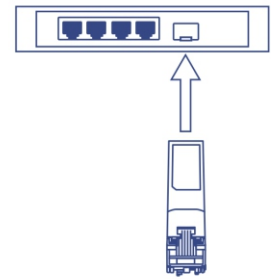
RJ-45 Copper SFP+

Take advantage of unused SFP+ slots and repurpose them for RJ-45 copper multi-gigabit connectivity.



Gigabit Speeds

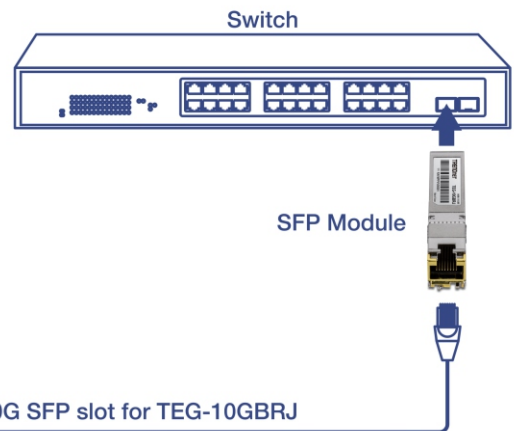
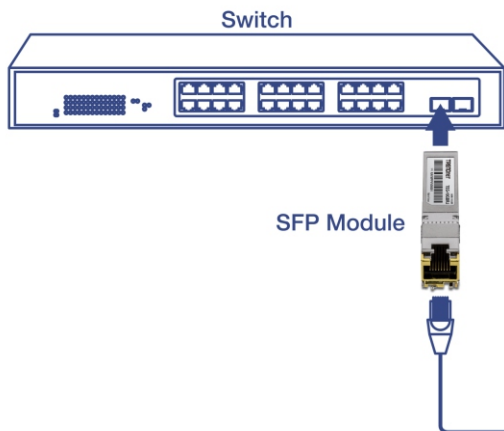
The 10G RJ-45 copper SFP+ spans distances up to 30m (98 ft.) and supports up to 10Gbps speeds.



Compatibility

Compatible with an MSA compliant SFP+ slot and multi-gigabit RJ-45 copper connections.

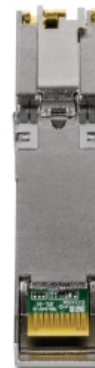
NETWORKING SOLUTION



Note: Switch requires 10G SFP slot for TEG-10GBRJ

Small Form-Factor Pluggable (SFP+) and Multi-Source Agreement (MSA) compliant

Shielded RJ-45 copper interface



FEATURES



Ethernet Distance

Supports networking distances up to 30m (98 ft.)



Connection Interface

RJ-45 10 gigabit port to convert SFP+ to RJ-45



Hot-Pluggable SFP+

Hot-pluggable 10G copper SFP+ compatible with an MSA compliant SFP+ slot



Operating Temperature

This 10G copper SFP+ module features an operating temperature range of 0° – 65° C (0° – 149° F)

SPECIFICATIONS

Standards

- IEEE 802.3
- IEEE 802.3ae
- IEEE 802.3az
- IEEE 802.3an
- IEEE 802.3ab

Device Interface

- SFP+ MSA Compliant
- RJ-45 connector

Data Transfer Rate

- Up to 10Gbps

Distance

- 10Gbps up to 30m (100ft.) with Cat. 6a/7
- 2.5G/5Gbps up to 50m (164ft.) with Cat. 5E
- 1Gbps up to 100m (328ft.) with Cat. 5E

Special Features

- Hot pluggable
- Metal enclosure
- DDM support

Power

- Max. Consumption: 3W

Operating Temperature

- 0° – 65° C (32° – 149° F)

Operating Humidity

- Max. 95% non-condensing

Dimensions

- 68 x 13.4 x 13.8mm (2.6 x 0.52 x 0.53 in.)

Weight

- 24g (0.8 oz.)

Certifications

- CE
- FCC

Warranty

- Lifetime

Package Contents

- TEG-10GBRJ

TRENDnet offers a lifetime warranty on selected fiber networking products that have been purchased in the United States/Canada on or after 1/1/2019.

All references to speed are for comparison purposes only. Product specifications, size, and shape are subject to change without notice, and actual product appearance may differ from that depicted herein.