

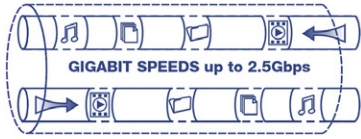


12-Port Cat5e Unshielded Wall Mount Patch Panel with Included 89D Bracket

TC-P12C5V (v1.0R)

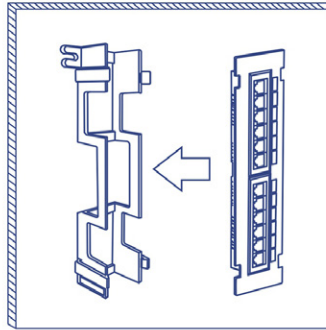
- 12-Port Cat5e Wall Mount Patch Panel
- Compatible with Cat5e and Cat6
- 10-inch patch panel is well suited for home and SMB applications
- Color-coded labeling for T568A and T568B wiring schemes
- Included 89D wall mount bracket for vertical or horizontal installations
- Organize cable connections with port labeling
- 110 IDC type terminal blocks (use 110 or Krone type tool)
- Use with TRENDnet TC-PDT Punch Down Tool (sold separately)
- Supports ANSI/EIA/TIA 568-B.2-1 and ISO/IEC 11801
- 180° angle type
- Operating temperature: -10° – 60° C (14° – 140° F)
- 3-year warranty

TRENDnet's 12-Port Cat5e Unshielded Wall Mount Patch Panel, model TC-P12C5V, provides a 100MHz connection to 12 x Gigabit RJ-45 Ethernet ports. This 10-inch patch panel is well suited for both home or SMB applications. Organize connections with the available writing surface above each port, allowing users to label respective connections. This compact 12-port patch panel also includes an 89D wall mount bracket for vertical or horizontal installations. The snap-in style wall mount bracket design provides quick and easy access to cable connections when needed for installation or troubleshooting. Use with TRENDnet's Punch Down Tool, model TC-PDT, and RJ-11/RJ-45 Crimp/Cut/Strip Tool, model TC-CT68.



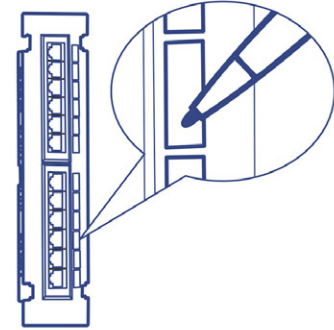
Cat5e Performance

Provides performance of up to 2.5Gbps speeds at 100m for 10/100/1000/2.5GBASE-T connections.



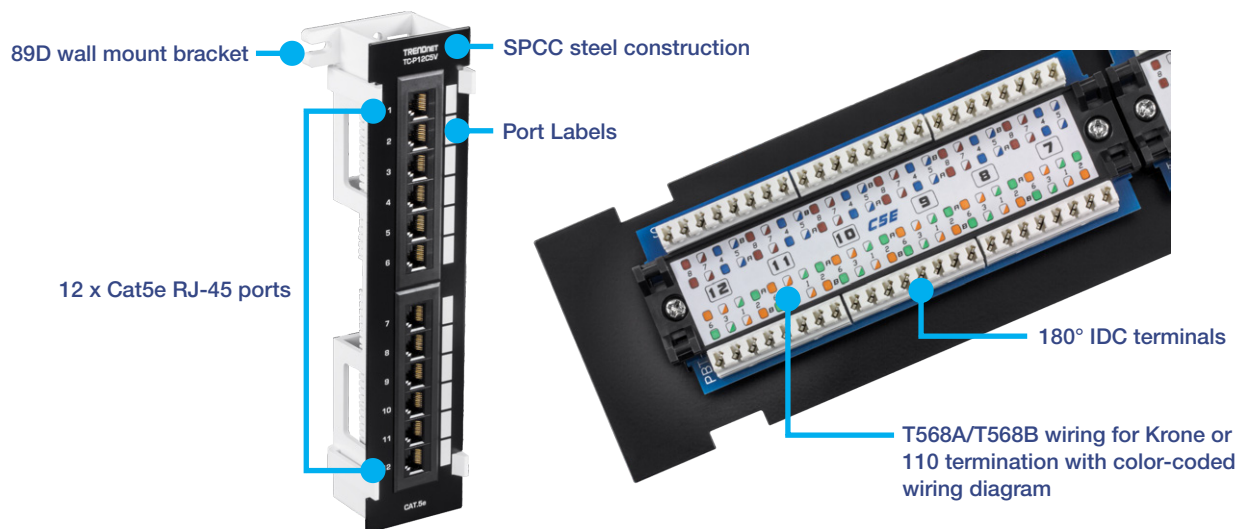
Wall Mount Design

This compact patch panel includes an 89D wall mount bracket for vertical or horizontal installations. The snap-in style wall mount bracket design provides quick and easy access to cable connections when needed for installation or troubleshooting.



Port Labels

The 12-port patch panel features a blank writing surface above each port, allowing users to label and organize the respective connections.



SPECIFICATIONS

Standards

- ANSI/TIA/EIA-568-C.2
- ISO/IEC 11801 2nd edition: 2002

Interface

- 12 x Cat5e RJ-45 ports with gold-plated 8P/8C contacts
- T568A/T568B wiring for Krone or 110 termination with color-coded wiring diagram
- 180° IDC terminals
- Compatible with 22 – 26 AWG solid or stranded wire
- SPCC steel construction

Mounting Options

- Wall mountable with included 89D bracket

Electrical Specification

- Insulation resistance: $\geq 500 \text{ M}\Omega$
- Dielectric Withstand Voltage: 500V DC
- Contact resistance: $\leq 35 \text{ M}\Omega$
- Current rating: 1.5A at 20° C (68° F)

Mechanical Specification

- Contact force 99.2g (3.5 oz.)
- Plug retention force: 13.3kg (29 lb.)
- 110/ Krone IDC insertion force: min. 4.5kg (9.9 lb.)
- 110/ Krone IDC retention force: min. 0.5kg (1.1 lb.)

Operating Temperature

- -10° – 60° C (-50° – 140° F)

Operating Humidity

- Max. 90% non-condensing

Dimensions

- 57 x 253 x 49mm (2.24 x 9.96 x 1.92 in.)

Weight

- 292g (10.3 oz.)

Warranty

- 3 year

Package Contents

- TC-P12C5V
- Quick Installation Guide
- 89D Mounting Bracket
- Screws

All references to speed are for comparison purposes only. Product specifications, size, and shape are subject to change without notice, and actual product appearance may differ from that depicted herein.